




Toolholder Program



Special Program



Right angle drill/milling unit

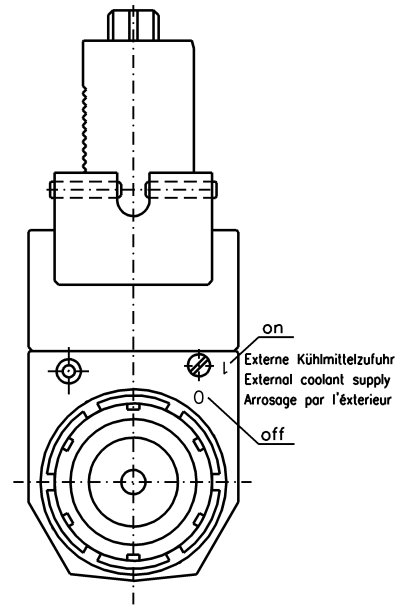
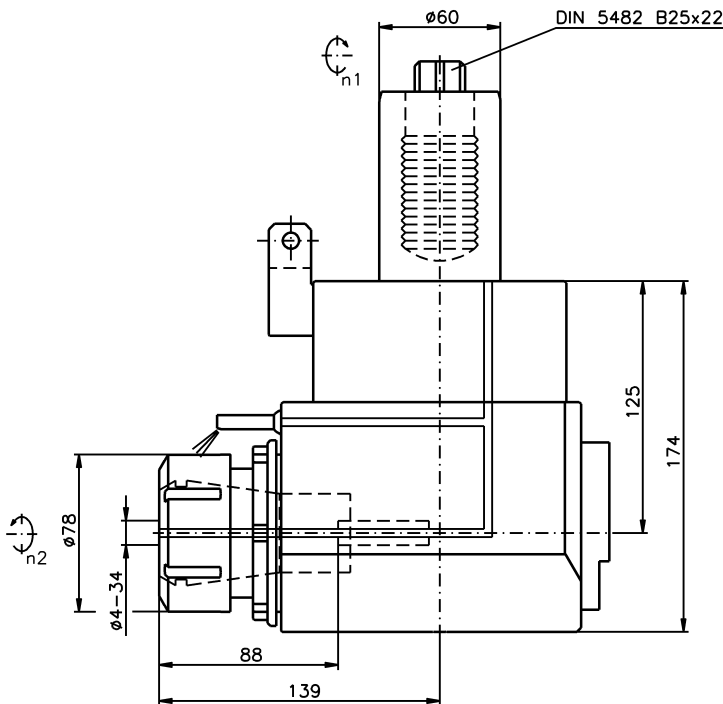
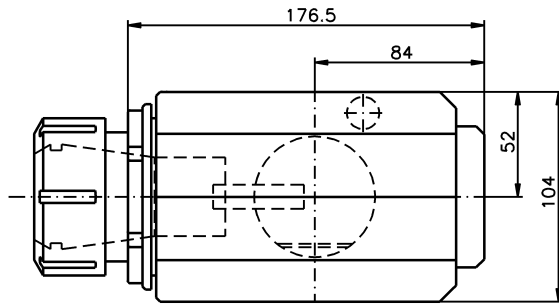
ER 50 410534021-60 1:1 IC 80 bar  00675000701

Right angle drill/milling unit - for ER style collet DIN 6499B

Ratio i=1:1

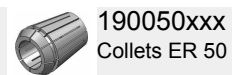
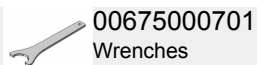
Internal and external coolant supply - Do not run without coolant! Only use filtered coolant fluid (max. particle size = 100 µm)

Max. coolant pressure = 1160 PSI (80 bar)



Item No.	Shaft-Ø	Tool Clamping	Tool-Ø	Torque(Nm)	n2 max(rpm)	i (n1:n2)
410534021-60	60	ER 50	4-34	100	4,000	1:1

Accessories
(not included)



Collets DIN 6499B (ER/ESX)



ER 50

190050000	ø 34-10	ø 1.339-0.394
190050060	ø 6-4	ø 0.236-0.157
190050080	ø 8-6	ø 0.315-0.236
190050100	ø 10-8	ø 0.394-0.315
190050120	ø 12-10	ø 0.472-0.394
190050140	ø 14-12	ø 0.551-0.472
190050160	ø 16-14	ø 0.630-0.551
190050180	ø 18-16	ø 0.709-0.630
190050200	ø 20-18	ø 0.787-0.709
190050220	ø 22-20	ø 0.866-0.787
190050240	ø 24-22	ø 0.945-0.866
190050260	ø 26-24	ø 1.024-0.945
190050280	ø 28-26	ø 1.102-1.024
190050300	ø 30-28	ø 1.181-1.102
190050320	ø 32-30	ø 1.260-1.181
190050340	ø 34-32	ø 1.339-1.260