

**Baralar**  
Boring Tools  
Ausbohrwerkzeug

**TEKNİK**  
Cutting Tools



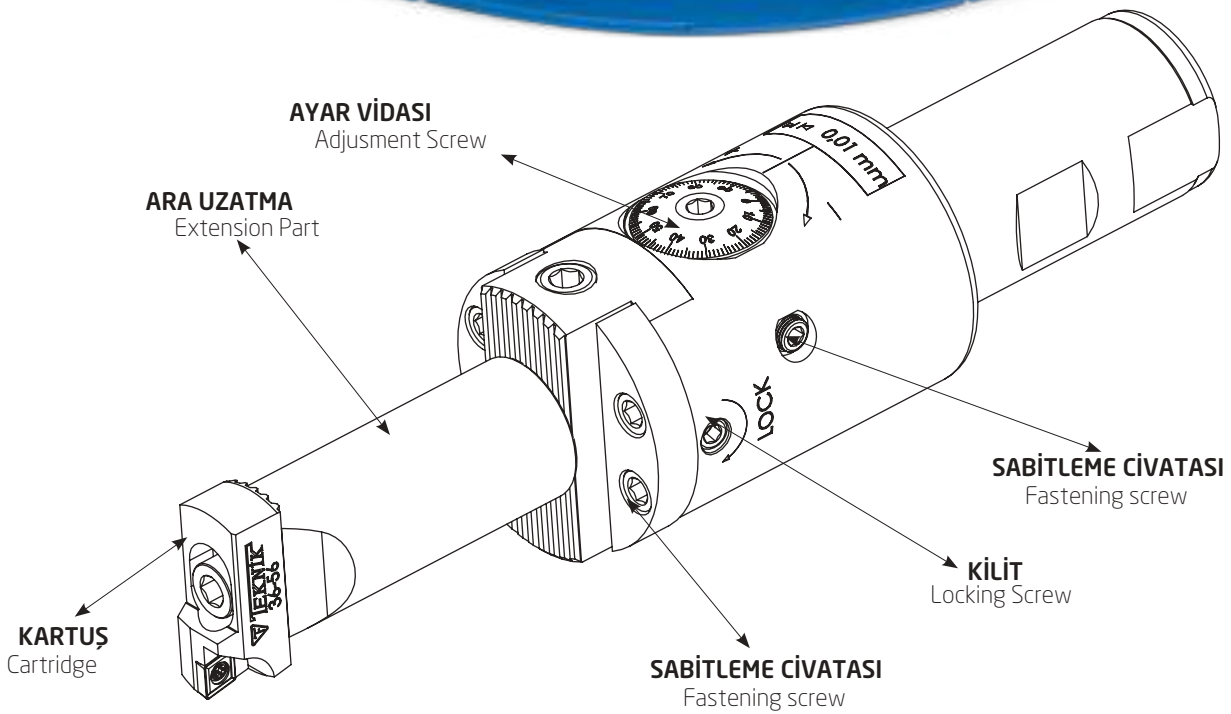
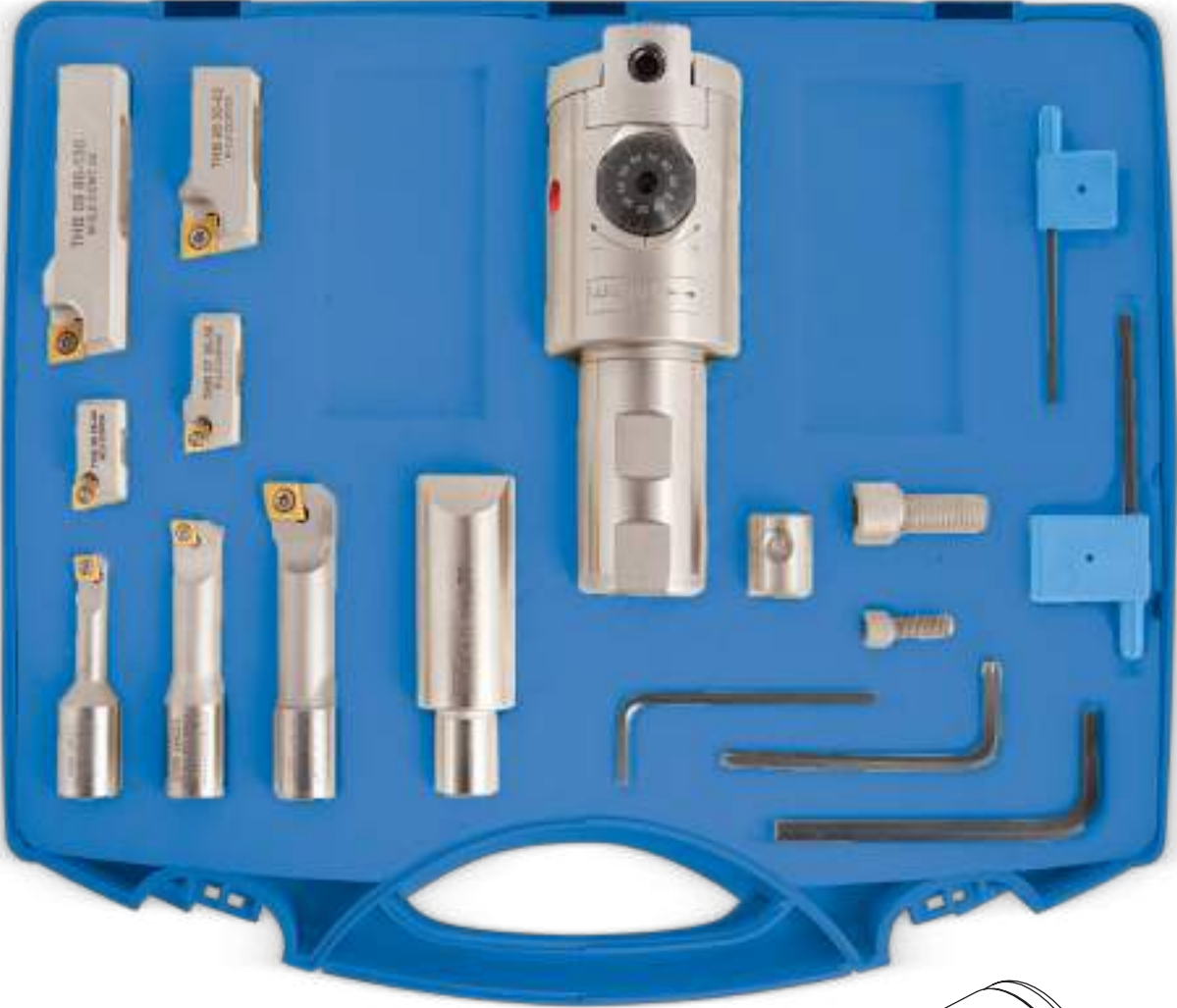
[www.teknikcuttingtools.com](http://www.teknikcuttingtools.com)



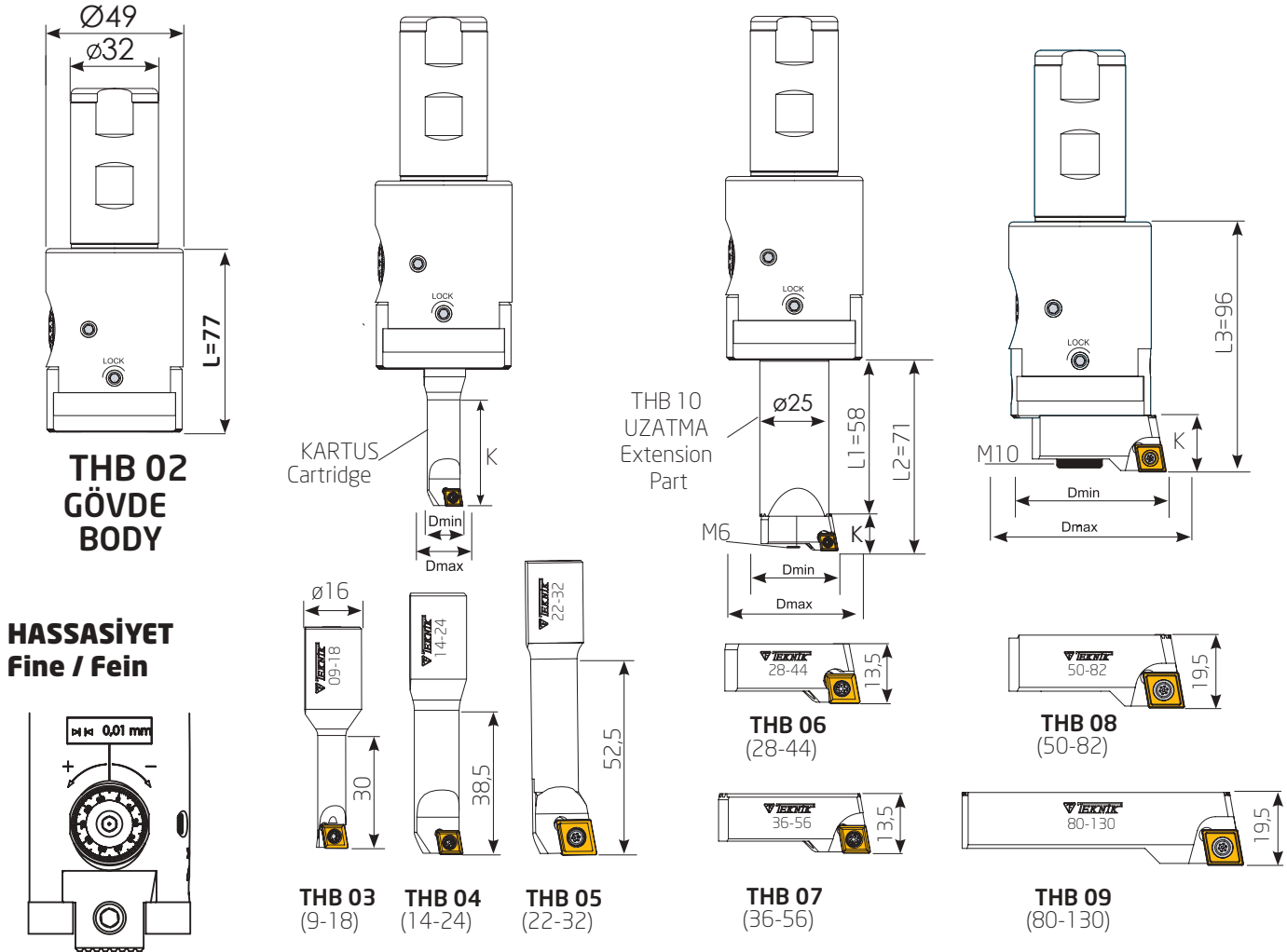
Kalite için TEKNİK çözüm

Technical solution for quality





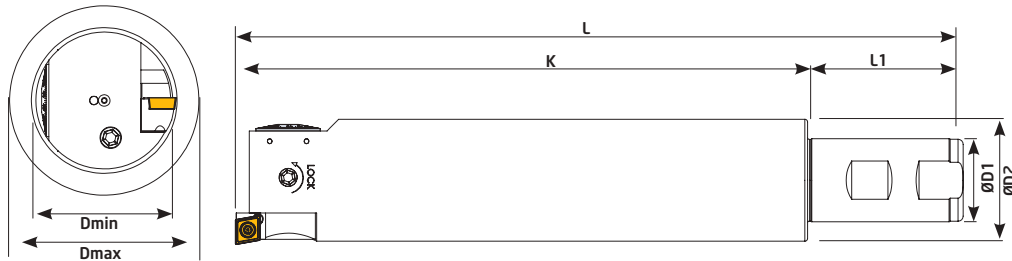
## THB 01 SET (1 Gövde + 7 Kartuş)

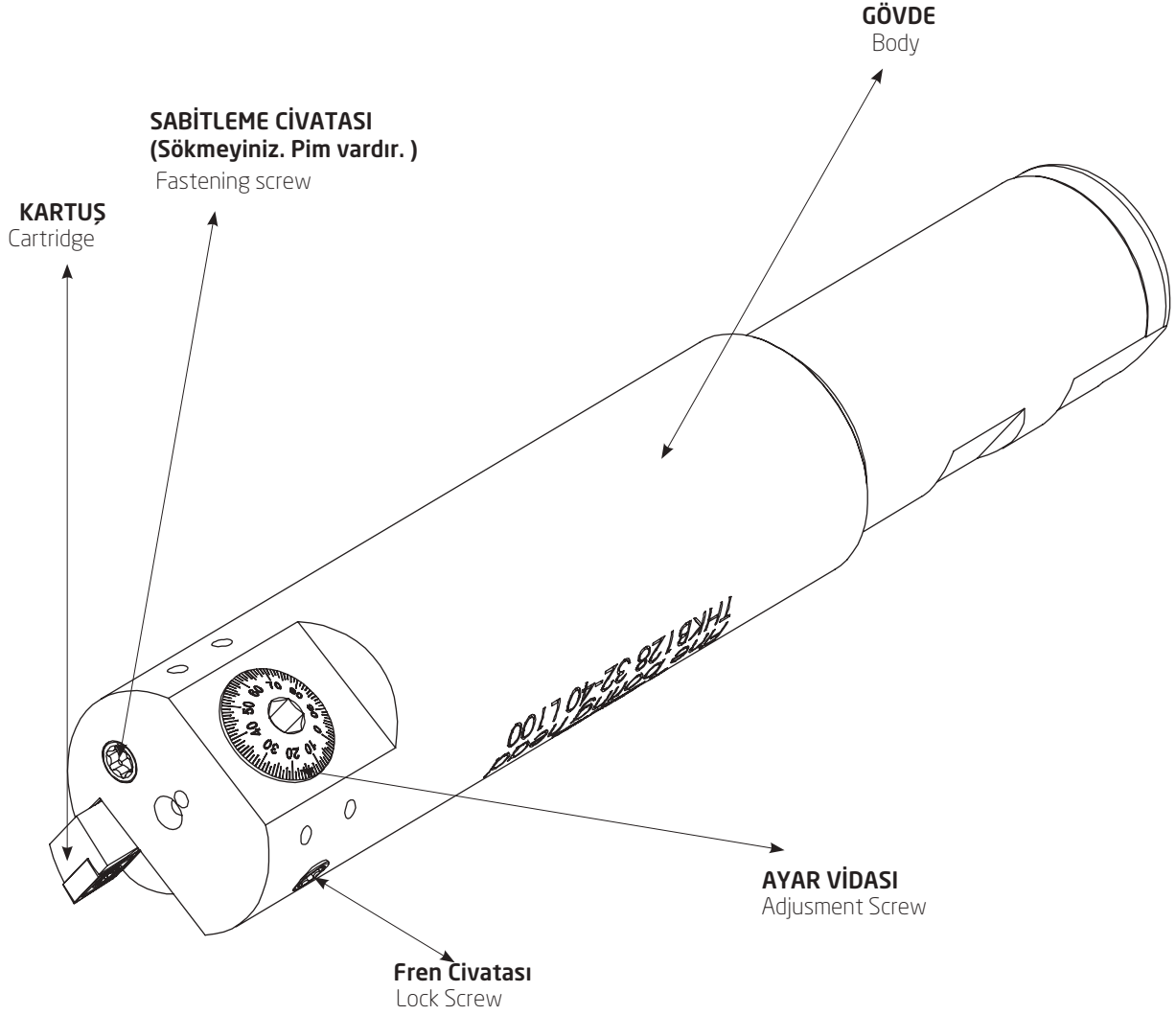


Sipariş Kodu Order Code Best.-Nr.	Stok/Stock/Lager	Ürün Kodu Product Code Produkt-Code	Ölçüler (mm) Dimensions(mm) Abmessungen (mm)						Kullanılan Uç Insert WSP	Sıkma Civatası Clamp Screw Torx-Schraube	Anahtar Torx Key Torx-Schlüssel
			K	L1	L2	L3	Dmin - Dmax				
THB01	●	HASSAS BARA SETİ / SET	...	...	...	...	9-130	3,100	...	...	...
THB02	●	GÖVDE / BODY	...	...	...	...	...	-	...	...	...
THB03	●	09-18 Kartuş/Cartridge	32,5	...	...	...	9-18	-	CCMT 0602	TC060 M2,5x5,5	T8
THB04	●	14-24 Kartuş/Cartridge	39,6	...	...	...	14-24	-	CCMT 09T3	TC067 M3,5x8,5	T15
THB05	●	22-32 Kartuş /Cartridge	52,5	...	...	...	22-32	-	CCMT 0602	TC060 M2,5x5,5	T8
THB06	●	28-44 Kartuş/Cartridge	13,7	...	71	...	28-44	-	CCMT 09T3	TC067 M3,5x9	T15
THB07	●	36-56 Kartuş /Cartridge	13,7	...	71	...	36-56	-	...	...	...
THB08	●	50-82 Kartuş/Cartridge	19,5	...	...	95,5	50-82	-	...	...	...
THB09	●	80-130 Kartuş/Cartridge	19,5	...	...	95,5	80-130	-	...	...	...
THB10	●	ARA UZATMA/Extension Part	...	58	...	...	...	-	...	...	...

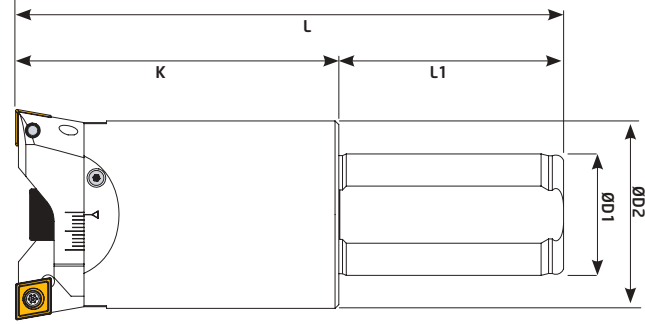
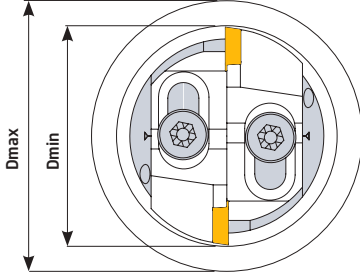


Sipariř Kodu Order Code Best.-Nr.	Stok/Stock/Lager	#r#n Kodu Product Code Produkt-Code	#l#u#ler (mm) Dimensions(mm) Abmessungen (mm)								Kullanılan U# Insert WSP	Hassasiyet Fine Fein
			Dmin	Dmax	K	øD1	L1	øD2	L	Ⓜ		
THKB120	●	25-32 K050 CCMT 06	25	32	50	25	56	23	106	0,402	CCMT 0602	0,02
THKB122	●	25-32 K100 CCMT 06	25	32	100	25	56	23	156	0,570		
THKB126	●	32-40 K060 CCMT 06	32	40	60	25	56	29	116	0,510		
THKB128	●	32-40 K104 CCMT 06	32	40	104	25	56	29	160	0,760		
THKB132	●	40-50 K069 CCMT 06	40	50	69	25	56	36	125	0,722		
THKB134	●	40-50 K109 CCMT 06	40	50	109	25	56	36	165	1,085		
THKB136	●	40-50 K189 CCMT 06	40	50	189	25	56	36	245	1,723	CCMT 09T3	0,01
THKB138	●	50-65 K065 CCMT 09	50	65	65	32	60	47	125	1,231		
THKB140	●	50-65 K130 CCMT 09	50	65	130	32	60	47	190	2,135		
THKB142	●	50-65 K220 CCMT 09	50	65	220	32	60	47	280	3,383		
THKB144	●	65-80 K085 CCMT 09	65	80	85	32	60	60	145	1,900		
THKB146	●	65-80 K130 CCMT 09	65	80	130	32	60	60	190	2,547		
THKB148	●	65-80 K220 CCMT 09	65	80	220	32	60	60	280	3,895		

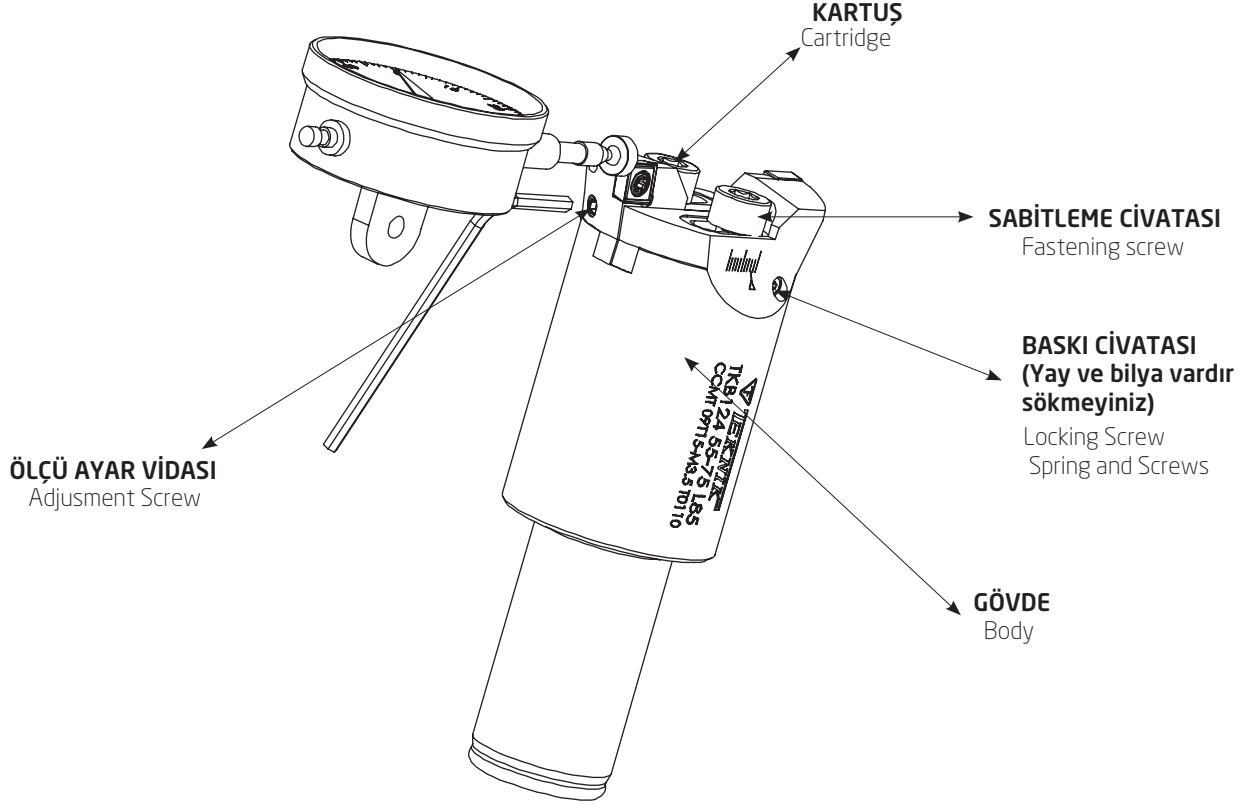




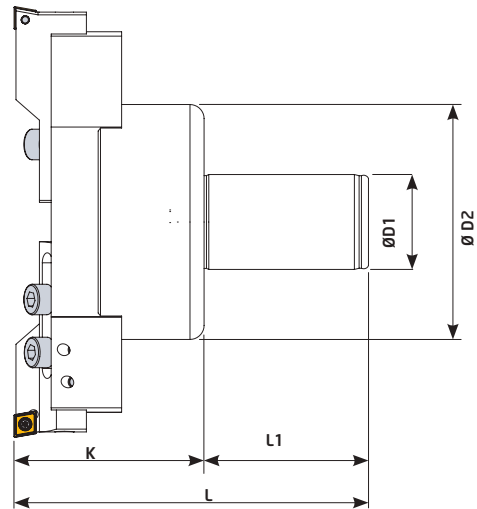
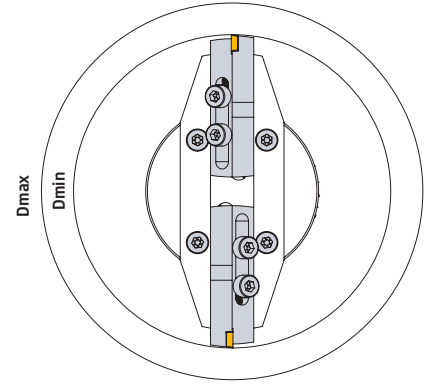
Dmin-Dmax	Kartuşlar Cartridges Kartusche	Kullanılan Uç Insert WSP	Sıkma Cıvatası Clamp Screw Torx-Schraube	Sabitleme Cıvatası Locking Screw Verriegelungs Schraube	Ayar Cıvatası Adjustment Screw Einstellschraube	Anahtar Torx Key Torx-Schlüssel
25-32	KR150	CCMT 0602	TC060 M2,5x5,5	SK47-M6x6	PC14-M5x17	T8 2,5 Allen
32-40	KR151	CCMT 0602	TC060 M2,5x5,5	SK47-M5x6	PC16-M5x19	T8 2,5 Allen
40-50	KR152	CCMT 0602	TC060 M2,5x5,5	SK47-M6x6	PC18-M5x23	T8 --
50-65	KR153	CCMT 09T3	TC067 M3,5x9	SK48-M8x8	PC22-M8x37	T15 --
65-80	KR154	CCMT 09T3	TC067 M3,5x9	SK48-M8x8	PC22-M8x37	T15 --




Sipariş Kodu Order Code Best.-Nr.	Stok/Stock/Lager	Ürün Kodu Product Code Produkt-Code	Ölçüler (mm) Dimensions (mm) Abmessungen (mm)								Kullanılan Uç Insert WSP
			Dmin	Dmax	K	øD1	L1	øD2	L	kg	
TKB088	●	16-20 K052 WCMX 03	16	20	52	16	48	15,7	100	0,176	WCMX 0302
TKB090	●	16-20 K102 WCMX 03	16	20	102	16	48	15,7	150	0,237	
TKB092	●	16-20 K152 WCMX 03	16	20	152	16	48	15,7	200	0,362	
TKB094	●	19-23 K052 CCMT 06	19	23	52	16	48	17,7	100	0,192	CCMT 0602
TKB096	●	19-23 K102 CCMT 06	19	23	102	16	48	17,7	150	0,292	
TKB098	●	19-23 K152 CCMT 06	19	23	152	16	48	17,7	200	0,401	
TKB100	●	23-28 K050 CCMT 06	23	28	50	20	50	21,2	100	0,298	
TKB102	●	23-28 K100 CCMT 06	23	28	100	20	50	21,2	150	0,347	
TKB104	●	23-28 K185 CCMT 06	23	28	185	20	50	21,2	235	0,682	
TKB106	●	28-38 K055 CCMT 09	28	38	55	20	50	25,7	105	0,378	CCMT 09T3
TKB108	●	28-38 K105 CCMT 09	28	38	105	20	50	25,7	155	0,376	
TKB110	●	28-38 K174 CCMT 09	28	38	174	25	56	25,7	230	0,267	
TKB111	●	28-38 K274 CCMT 09	28	38	274	25	56	25,7	330	1,342	
TKB112	●	37-48 K064 CCMT 09	37	48	64	25	56	32	120	0,661	
TKB114	●	37-48 K114 CCMT 09	37	48	114	25	56	33	170	0,991	
TKB116	●	37-48 K204 CCMT 09	37	48	204	25	56	33	260	1,597	
TKB118	●	45-56 K070 CCMT 09	45	56	70	32	60	39,5	130	1,035	
TKB120	●	45-56 K120 CCMT 09	45	56	120	32	60	40	180	1,528	
TKB122	●	45-56 K200 CCMT 09	45	56	200	32	60	40	260	2,385	
TKB124	●	55-75 K085 CCMT 09	55	75	85	32	60	50	145	1,638	
TKB126	●	55-75 K135 CCMT 09	55	75	135	32	60	50	195	2,422	
TKB128	●	55-75 K220 CCMT 09	55	75	220	32	60	50	280	3,745	
TKB130	●	70-90 K085 CCMT 09	70	90	85	32	60	64	145	2,100	
TKB132	●	70-90 K135 CCMT 09	70	90	135	32	60	64	195	2,942	
TKB134	●	70-90 K220 CCMT 09	70	90	220	40	70	64	290	4,915	
TKB136	●	90-130 K115 CCMT 09	90	130	115	32	60	74	175	3,130	
TKB138	●	90-130 K165 CCMT 09	90	130	165	32	60	74	225	4,138	

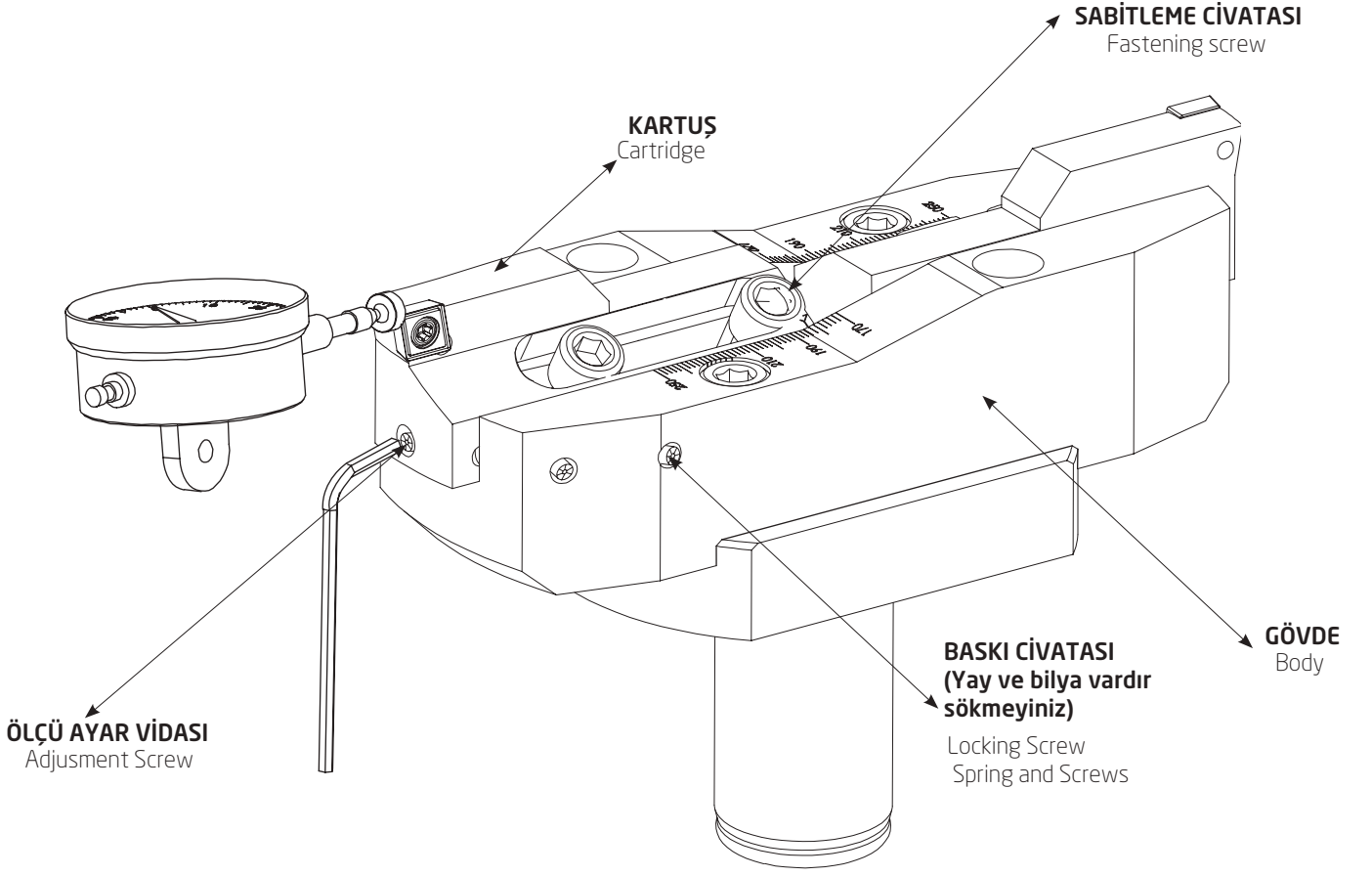


Dmin-Dmax	Kartuşlar Cartridges Kartusche	Kullanılan Uç Insert WSP	Sıkma Cıvatası Clamp Screw Torx-Schraube	Sabitleme Cıvatası Locking Screw Verriegelungs Schraube	Ayar Cıvatası Adjustment Screw Einstellschraube	Anahtar Torx Key Torx-Schlüssel
16-20	KR096	WCMX 0302	TC060 M2,5x5,5	TC102-M4x16	SK29-M3x4	T8
19-23	KR098	CCMT 0602	TC060 M2,5x5,5	TC102-M4x16	SK30-M3x5	T8
23-28	KR100	CCMT 0602	TC060 M2,5x5,5	TC104-M5x25	SK30-M3x5	T8
28-38	KR102	CCMT 09T3	TC067 M3,5x9	TC104-M5x25	SK32-M4x7	T15
37-48	KR104	CCMT 09T3	TC067 M3,5x9	TC106-M6x30	SK34-M4x10	T15
45-56	KR106	CCMT 09T3	TC067 M3,5x9	TC108-M8x30	SK36-M4x12	T15
55-75	KR108	CCMT 09T3	TC067 M3,5x9	TC108-M8x30	SK38-M4x16	T15
70-90	KR110	CCMT 09T3	TC067 M3,5x9	TC108-M8x30	SK38-M4x16	T15
90-130	KR112	CCMT 09T3	TC067 M3,5x9	TC108-M8x30	SK40-M4x25	T15
55-75	KR115	CCMT 1204	TC083 M5x12	TC108-M8x30	SK38-M4x16	T20
70-90	KR116	CCMT 1204	TC083 M5x12	TC108-M8x30	SK38-M4x16	T20
90-130	KR117	CCMT 1204	TC083 M5x12	TC108-M8x30	SK40-M4x25	T20

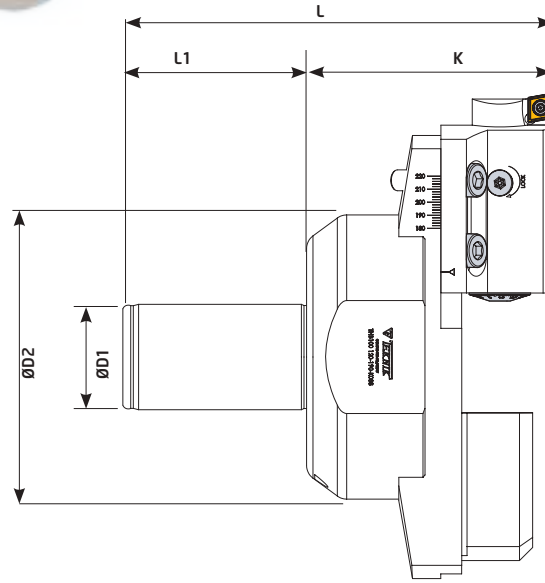
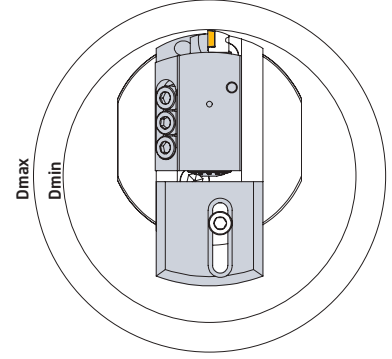


Sipariş Kodu Order Code Best.-Nr.	Stok/Stock/Lager	Ürün Kodu Product Code Produkt-Code	Ölçüler (mm) Dimensions(mm) Abmessungen (mm)								Kullanılan Uç Insert WSP
			Dmin	Dmax	K	ØD1	L1	ØD2	L		
TKB148	●	120-170 K069 CCMT 12	120	170	69	40	70	115.5	139	3,281	CCMT 1204
TKB150	●	170-250 K084 CCMT 12	170	250	84	40	70	99,5	154	5,011	
TKB152	●	240-350 K084 CCMT 12	240	350	84	40	70	149,5	154	8,294	

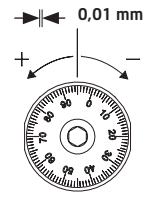




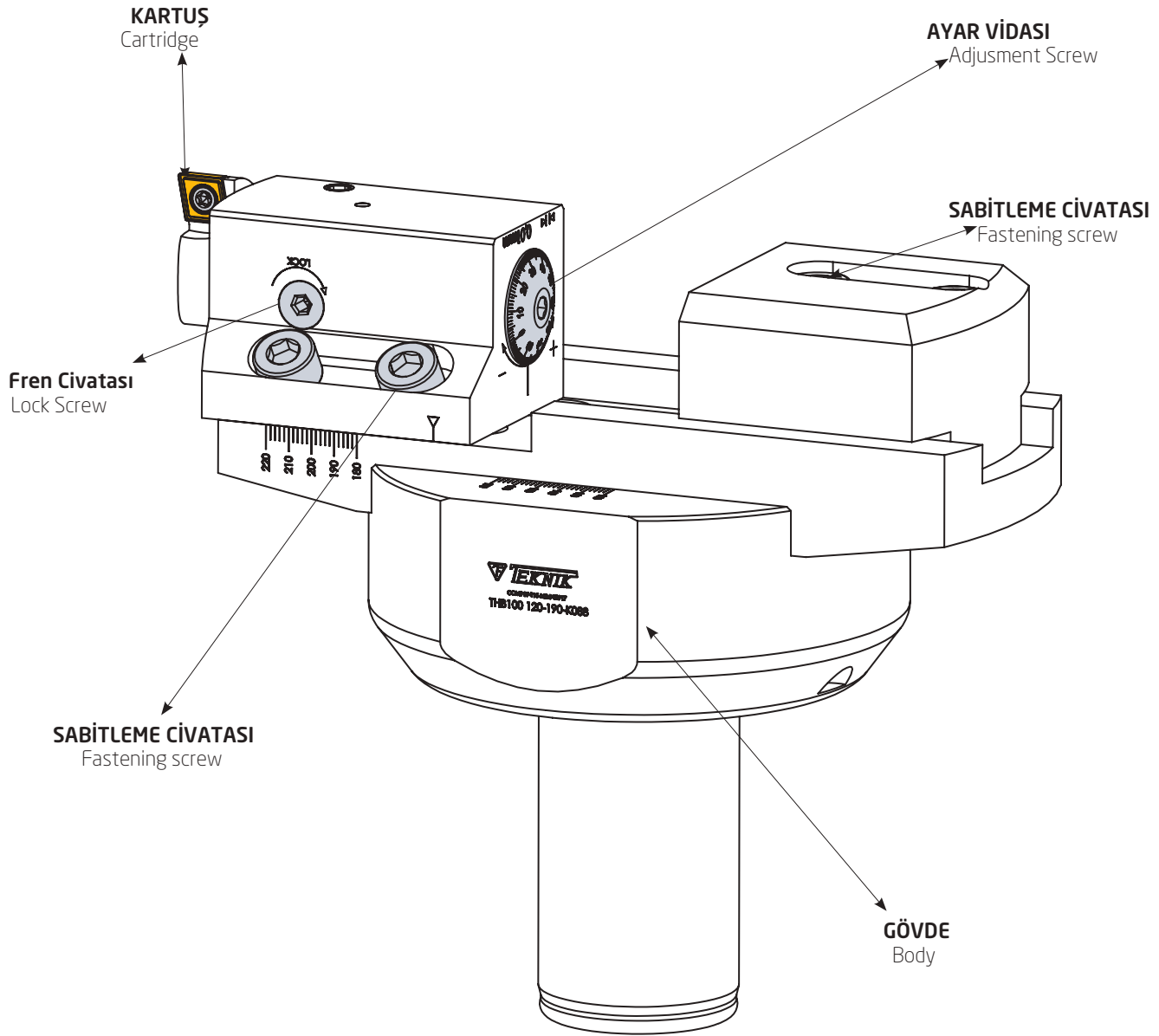
Dmin-Dmax	Kartuşlar Cartridges Kartusche	Kullanılan Uç Insert WSP	Sıkma Cıvatası Clamp Screw Torx-Schraube	Sabitleme Cıvatası Locking Screw Verriegelungs Schraube	Ayar Cıvatası Adjustment Screw Einstellschraube	Anahtar Torx Key Torx-Schlüssel
120-170	KR119	CCMT 1204	TC083 M5x12	TC109-M8x25	SK42-M6x20	T20
170-250	KR120		TC083 M5x12	TC109-M8x25	SK43-M6x30	T20
240-350	KR124		TC083 M5x12	TC109-M8x25	SK44-M6x40	T20



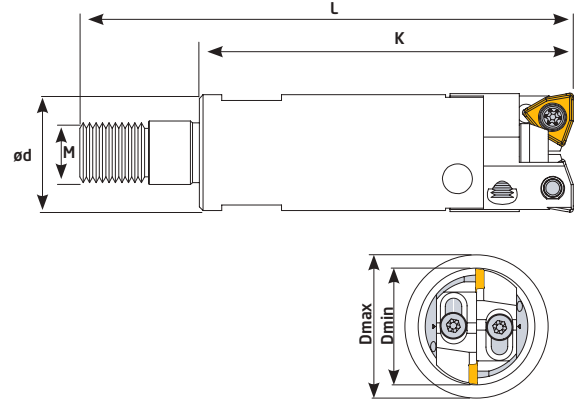
**HASSASİYET**  
Fine / Fein



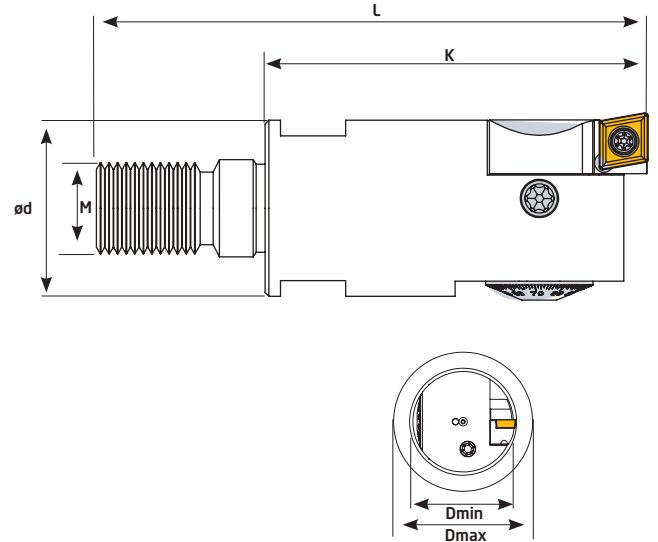
Sipariş Kodu Order Code Best.-Nr.	Stok/Stock/Lager	Ürün Kodu Product Code Produkt-Code	Ölçüler (mm) Dimensions(mm) Abmessungen (mm)								Kullanılan Uç Insert WSP	HASSASİYET Fine Fein
			Dmin	Dmax	K	øD1	L1	øD2	L			
THB100	●	120-190 K093 CCMT 09	120	190	93,7	40	70	109	163,7	5,060		→← (mm)  0,01
THB101	●	180-240 K093 CCMT 09	180	240	93,7	40	70	109	163,7	5,967	CCMT 09T3	
THB102	●	240-300 K093 CCMT 09	240	300	93,7	40	70	109	163,7	7,000		



Dmin-Dmax	Kartuşlar Cartridges Kartusche	Kullanılan Uç Insert WSP	Sıkma Cıvatası Clamp Screw Torx-Schraube	Sabitleme Cıvatası Locking Screw Verriegelungs Schraube	Ayar Cıvatası Adjustment Screw Einstellschraube	Anahtar Torx Key Torx-Schlüssel
120-190	KR155	CCMT 09T3	TC067 M3,5x9	TC108-M8x30	SK45-M10x7,5	T15
180-240	KR155		TC067 M3,5x9	TC108-M8x30	SK45-M10x7,5	T15
240-300	KR155		TC067 M3,5x9	TC108-M8x30	SK45-M10x7,5	T15



Sipariş Kodu Order Code Best.-Nr.	Stok/Stock/Lager	Ürün Kodu Product Code Produkt-Code	Ölçüler (mm) Dimensions(mm) Abmessungen (mm)							Kullanılan Uç Insert WSP
			Dmin	Dmax	M	K	L	ød		
TKB170	●	16-20 K050 M08 WCMX 03	16	20	M8	50	66	15,5	0,078	WCMX 0302
TKB172	●	19-23 K050 M10 CCMT 06	19	23	M10	50	70	17,5	0,095	CCMT 0602
TKB174	●	23-28 K050 M12 CCMT 06	23	28	M12	50	72	21,2	0,145	
TKB176	●	28-38 K050 M16 CCMT 09	28	38	M16	50	74,5	25,7	0,213	CCMT 09T3



Sipariş Kodu Order Code Best.-Nr.	Stok/Stock/Lager	Ürün Kodu Product Code Produkt-Code	Ölçüler (mm) Dimensions(mm) Abmessungen (mm)							Kullanılan Uç Insert WSP	HASSASİYET Fine Fein
			Dmin	Dmax	M	K	L	ød			
THKB102	●	25-32 K050 M12 CCMT 06	25	32	M12	50	72	23	0,194	CCMT 0602	→ ← (mm)
THKB104	●	32-40 K050 M16 CCMT 06	32	40	M16	50	74,3	29	0,287		0,02
											0,01