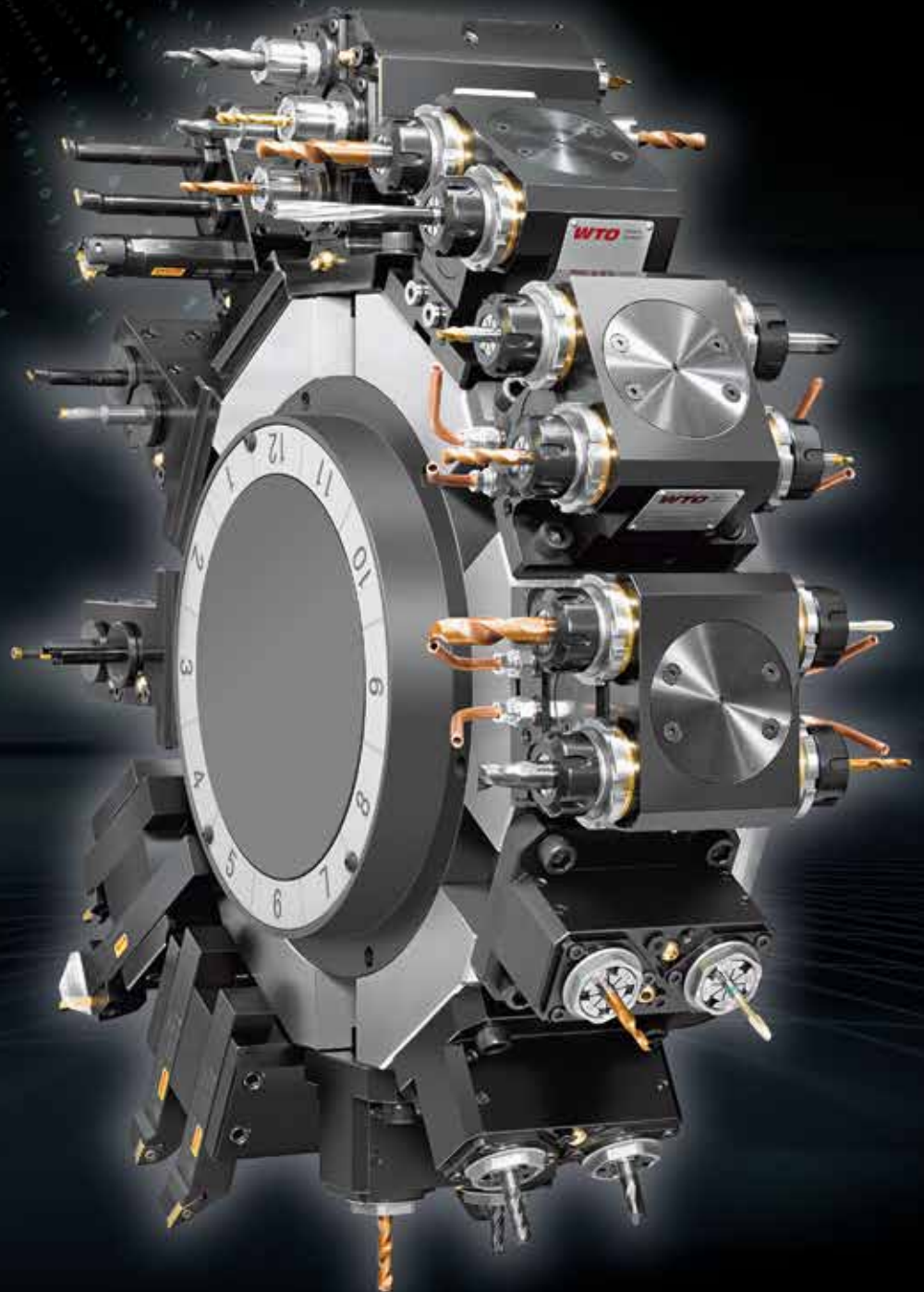


WTO

Intelligent Process Optimization



„Innovation is our future.“

Sascha Tschiggfrei, CEO





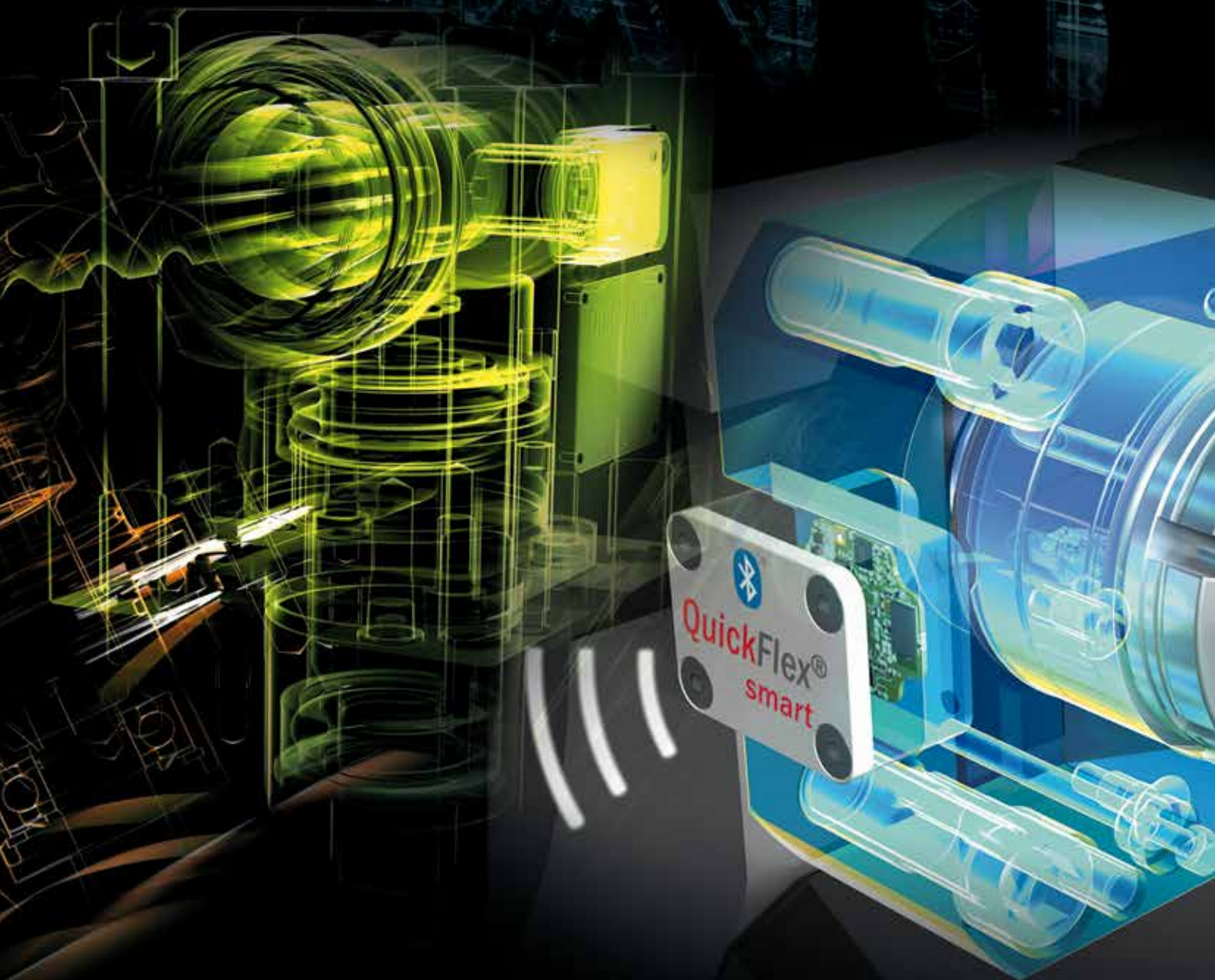
WTO

The Future has begun

As a global market leader, we manufacture technologically advanced high precision tool holders for turning centers and swiss type lathes that are known for high performance and long life-time.

Using our new “smart” technology, our customers will be able to intelligently optimize and monitor their processes in the future.

INDUSTRY 4.0





Intelligent Process Optimization

State-of-the-art technology for maximum productivity. With this claim, WTO develops and produces superior precision tool holders in terms of technology and quality.

Used intelligently, processes are optimized and production becomes more productive.

WTO Driven Precision Tool Holders equipped with innovative „smart“ technology enable intelligent online process monitoring.

**“Consistent development -
always one step ahead.”**

Karlheinz Jansen, CTO



High Tech – Made in Germany




WTO

From the technical design to the finished product we make no compromises when it comes to manufacturing our high precision tool holders.

Permanent investment in state-of-the-art production technologies, high quality standards and a large manufacturing depth.

Our products are in use worldwide, wherever precision parts are manufactured on turning centers with high productivity.





**„Our employees don't work for WTO.
They work for the success of our customers.“**

Daniel Sierra, Sales Director WTO



WTO

Your Success is our Business

Motivated employees are the basis for 100 % consistent customer focus.

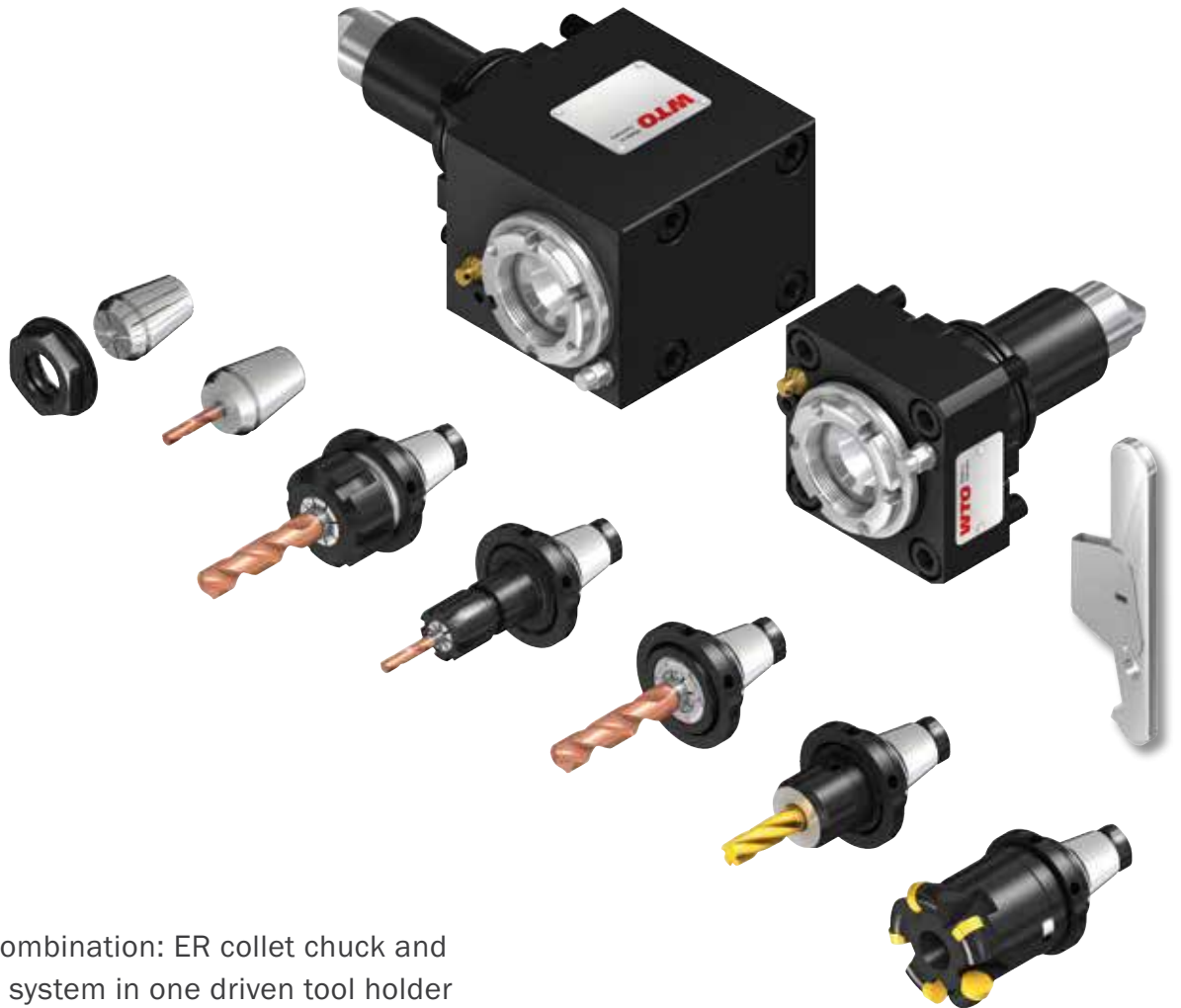
WTO offers its employees a state-of-the-art working environment to work independently and ensures highly motivated employees in a family-owned technology company.

To a large extent, WTO relies on its own highly qualified employees in order to achieve high quality standards.





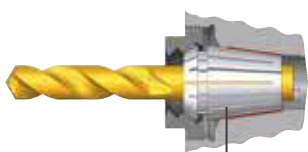
QuickFlex®



The perfect combination: ER collet chuck and quick change system in one driven tool holder made by WTO.

High run-out accuracy and stability are guaranteed by two independent taper connections.

Quick and safe tool change with the patented one-hand wrench.



With ER collet



With QuickFlex® mill arbor adapter





QuickFlex[®] smart

The New Generation of Smart Driven Tool Holders with intelligent Condition Monitoring

- Integrated wireless electronic sensor/transmitter unit
- Secure data transfer with Bluetooth standard BLE 4.2
- Monitoring of speed, temperature, vibrations, runtime
- Clear status presentation of all assigned driven tool holders
- Condition monitoring of the assigned machines
- Complete data history of each driven toolholder

True online process monitoring

- All relevant data is transmitted live during operation
- Permanent monitoring of production parameters
- Display of the operating time and remaining time until the service interval



Integrated in the machine control

Currently available as option in the latest CELOS version of DMG MORI.



Software for condition monitoring

Installation requirements
Hardware: PC, Tablet with Bluetooth 4.2
Operating system: Windows 10



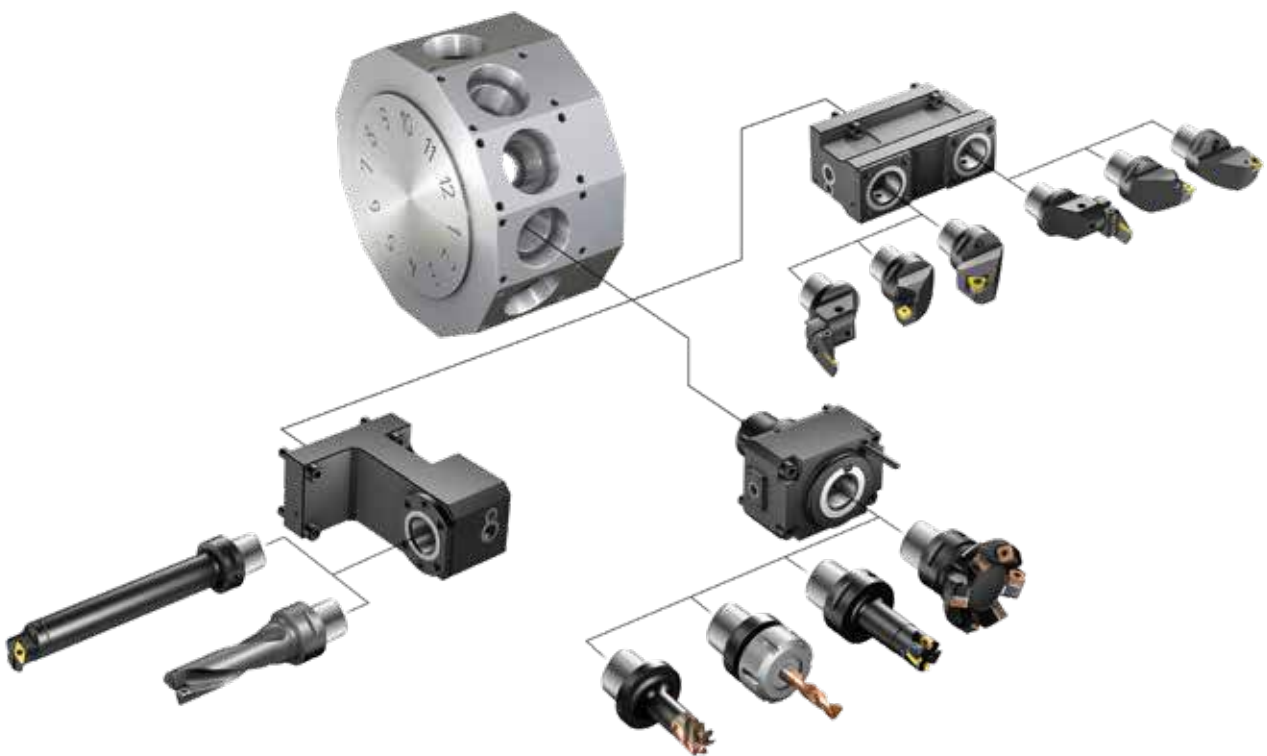
Coromant Capto®

The quick change system from Sandvik Coromant for fastest tool setup time. Faster return on investment.

Coromant Capto® is a modular quick change system certified according to ISO 26623. It combines high rigidity with high flexibility in one system.

The globally available quick change system for turning centers is universally applicable for turning, drilling and milling.

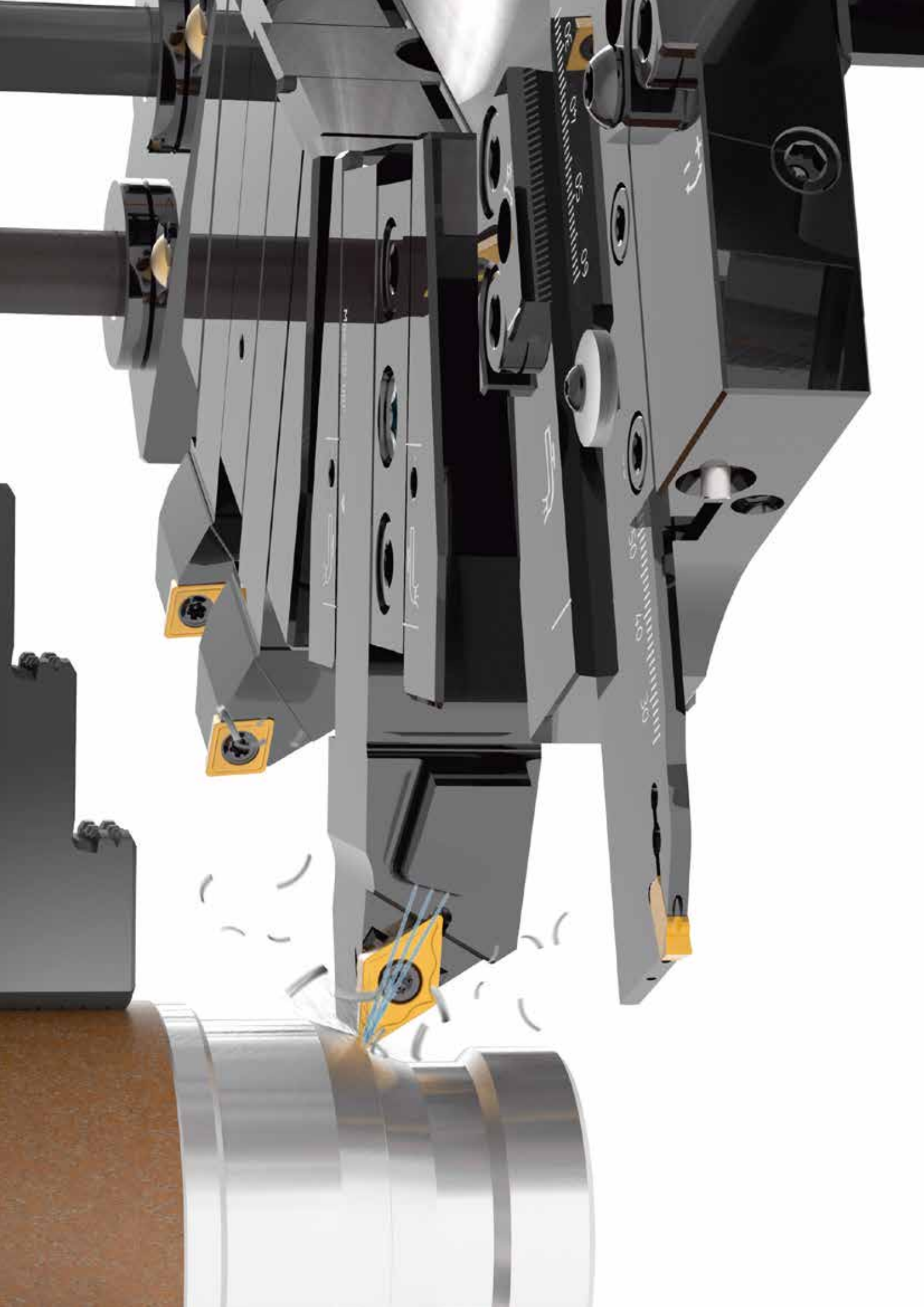
High investment security through ISO standard. Sales worldwide via Sandvik Coromant



Short adapters available from WTO

For precision driven tool holders with Coromant Capto® the use of short adapters with no gripper groove lead to significant advantages: More available cutting tool length, higher accuracy and higher stability.





Precision Static Tool Holders

Precision Static Tool Holders from WTO are individually designed for each turning center and manufactured with the highest precision so that you are able to use the full capacity of your machine.



Internal coolant supply for highest productivity

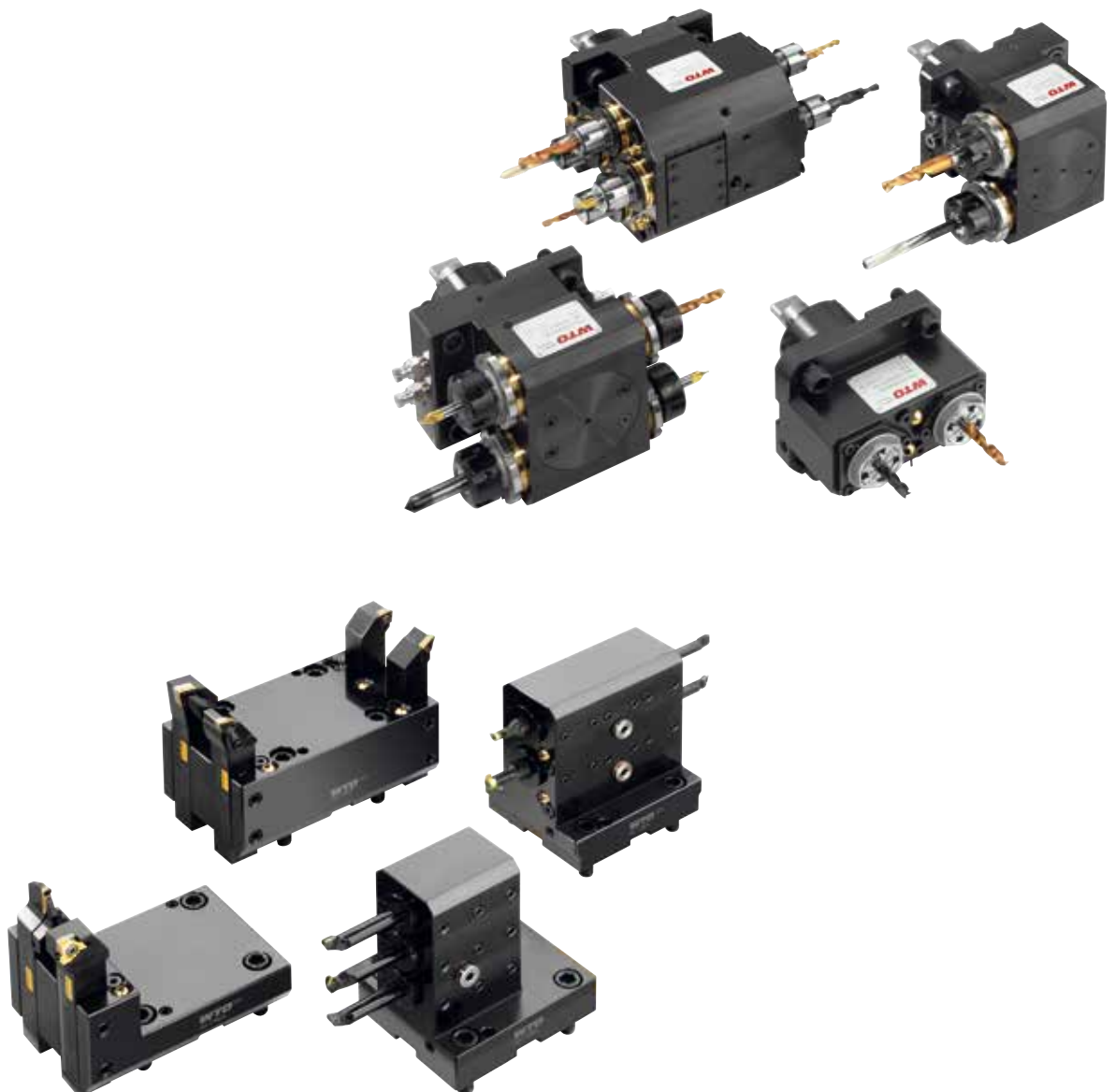
The new generation of shank and blade tool holders with internal coolant supply through the tool shank: for increasing cutting tool life and cutting feed rate with fast tool set-up time.

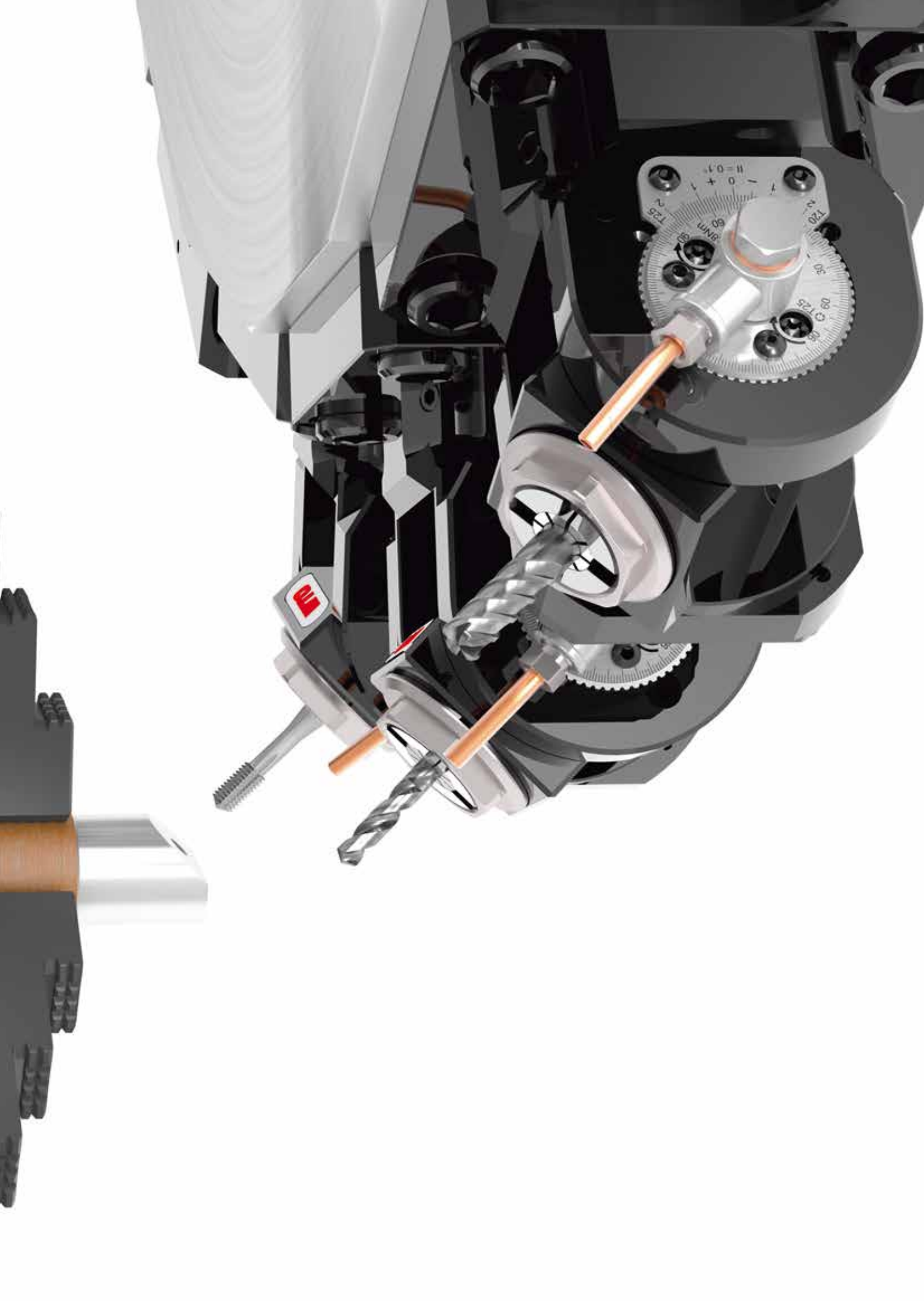


Multiple Tool Holders

Multiple Tool Holders from WTO to multiply the available tools on turning centers with Y axis.

The enhancement of available cutting tools allows the production of a more complex and more comprehensive range of work pieces without changing the machine set-up.

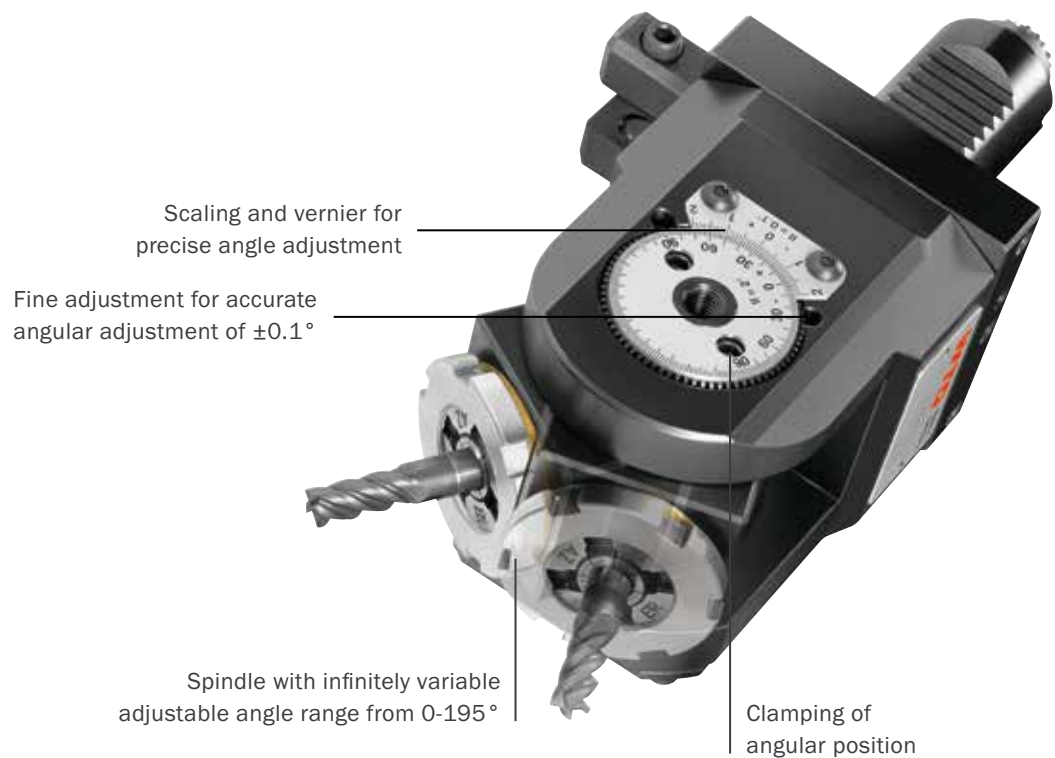






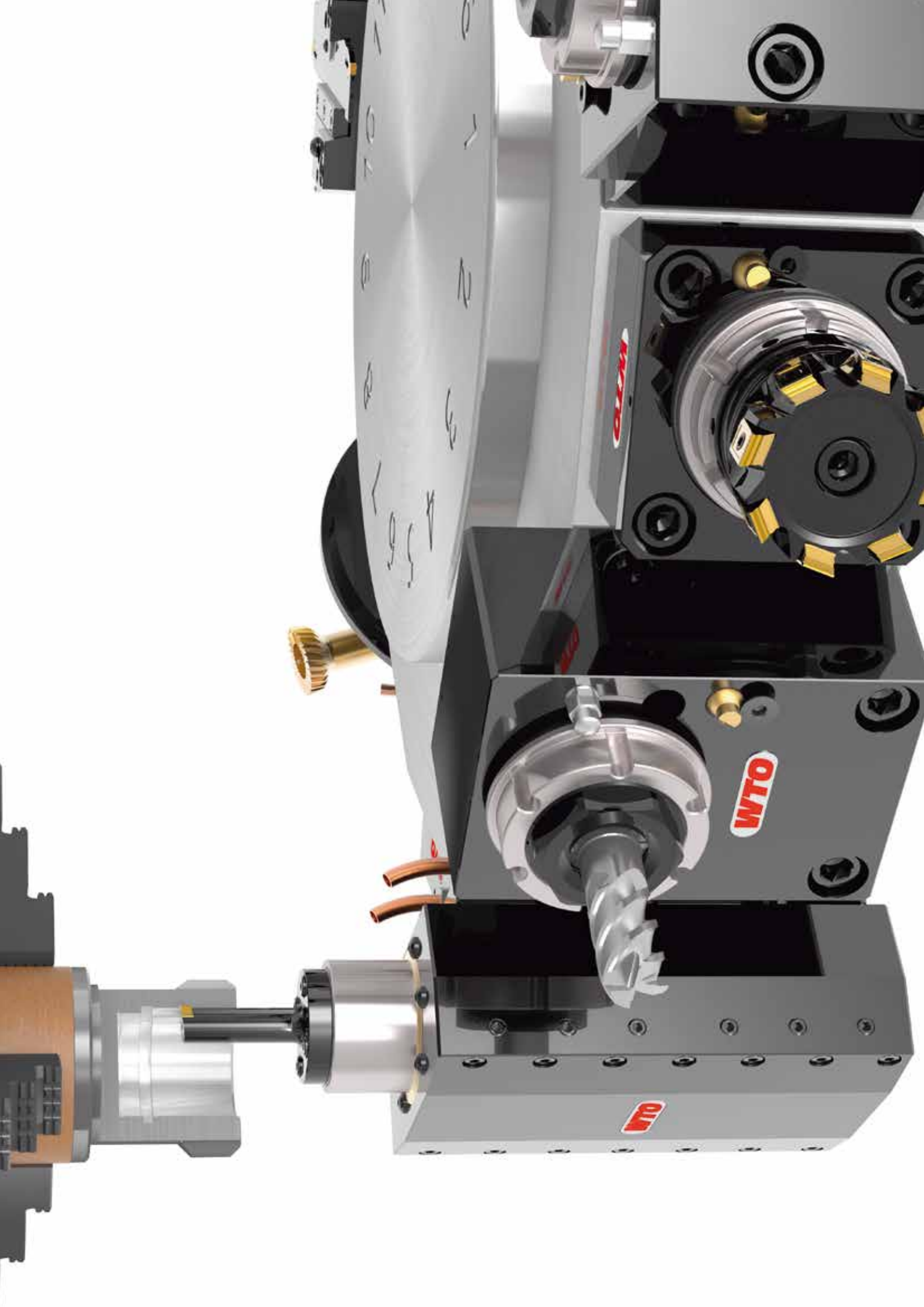
Adjustable Angle Units

The WTO high precision Adjustable Angle Drill-Milling Units enable the complete machining at any angle on CNC Turning Centers.



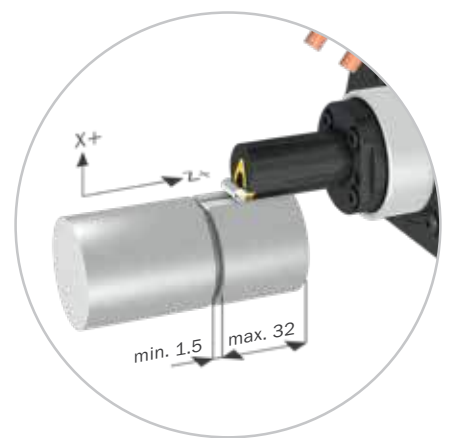
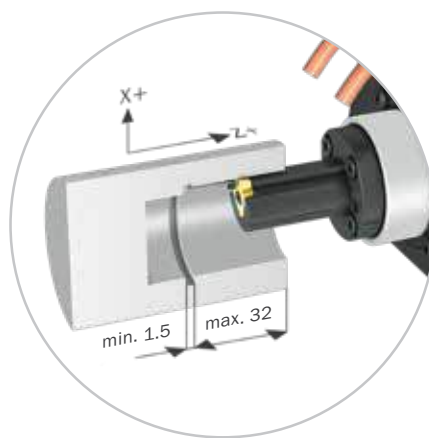
Internal coolant supply through the spindle with max. 80 bar/1160 PSI

Through various gear ratios and internal high pressure coolant supply up to 80 bar/1160 PSI, drilling and milling cycles can be optimized for higher productivity of your machine.



Broaching Unit

The automatic Broaching Unit from WTO for economic manufacturing of oriented keyways and splines with up to 1,000 strokes per minutes and max. 10 mm groove width.



Same insert holder for ID and OD broaching by rotating 180 degrees.



1
Position insert on Z



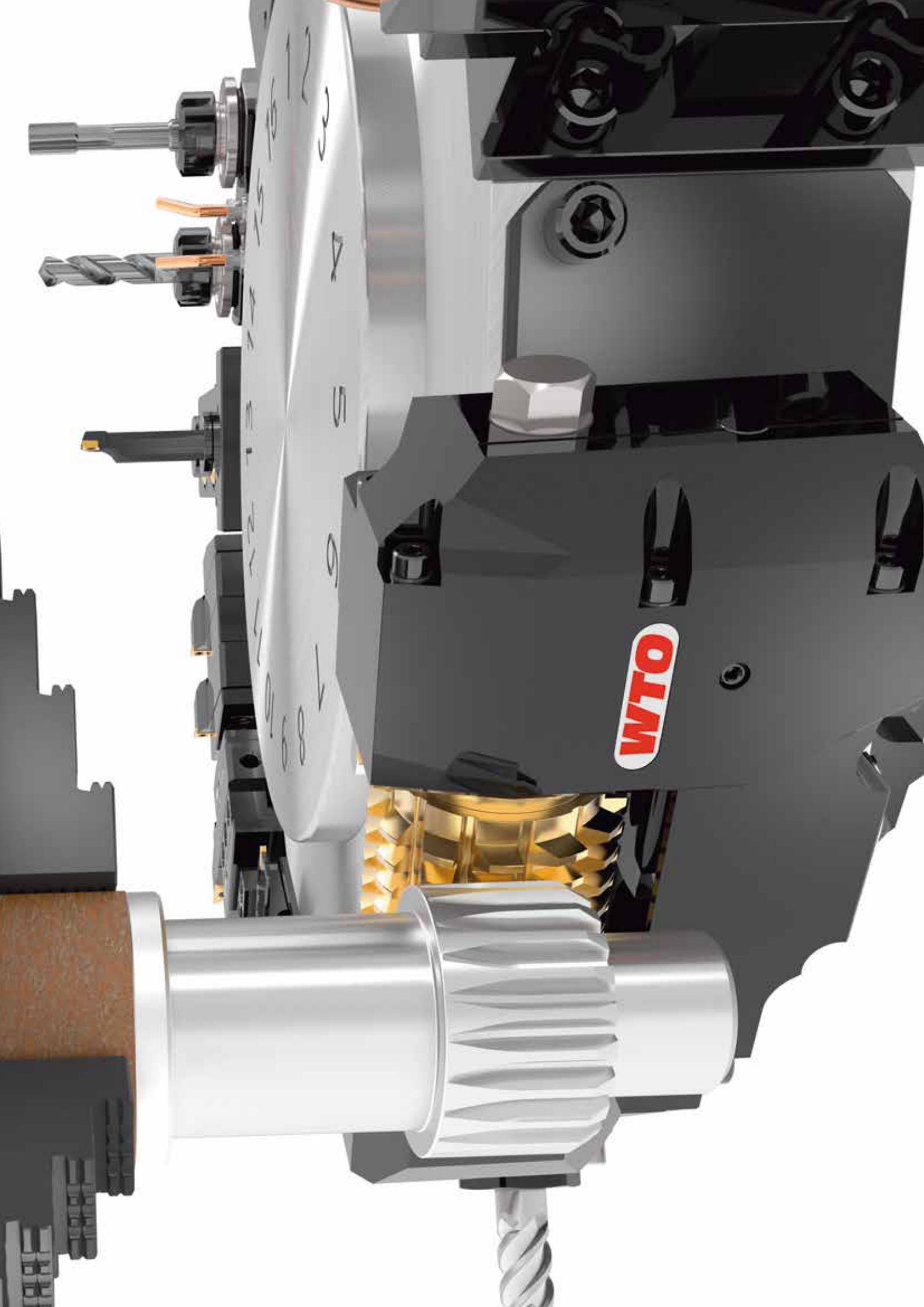
3
Cutter lifts from workpiece



2
Cutter drives into workpiece



4
Lift-off function prevents wear/breakage when cutter retracts

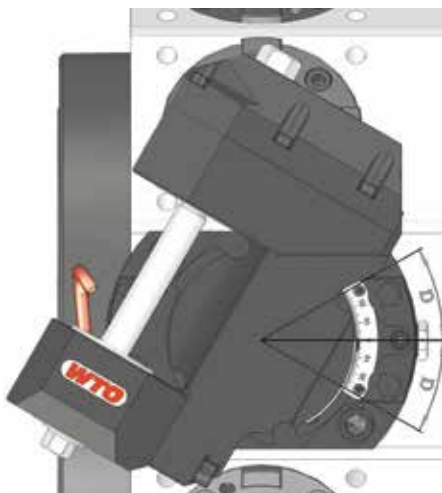
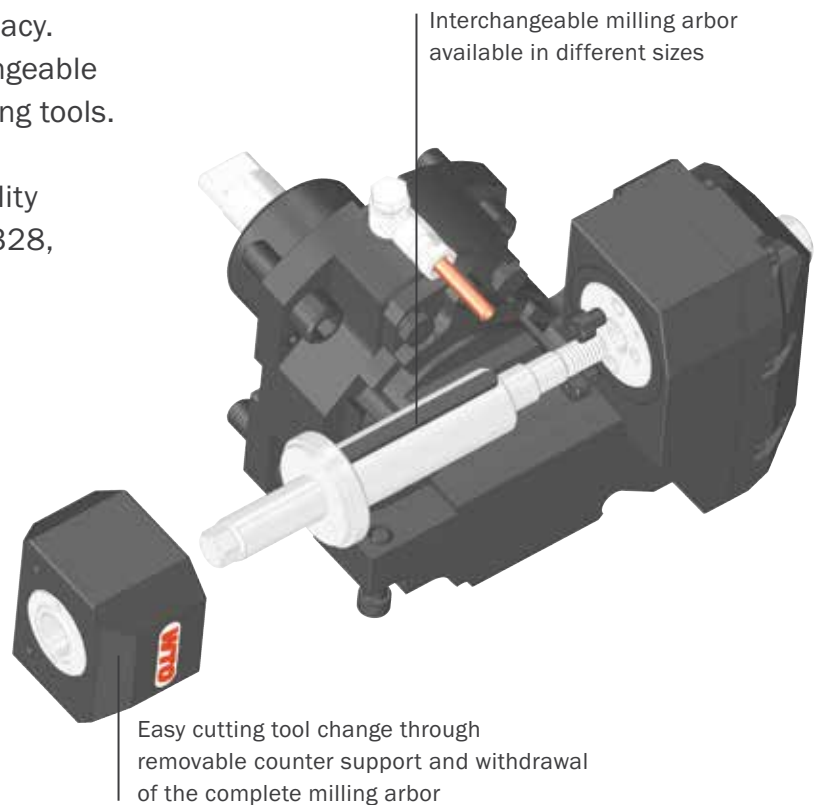


Gear Hobbing Unit

Highly productive manufacturing of gears with CNC Turning Centers.

The Gear Hobbing Unit from WTO offers high stiffness and runout accuracy. High versatility due to interchangeable milling arbors for different cutting tools.

Usable for machining gear quality according to standard 8 ISO 1328, AGMA 8





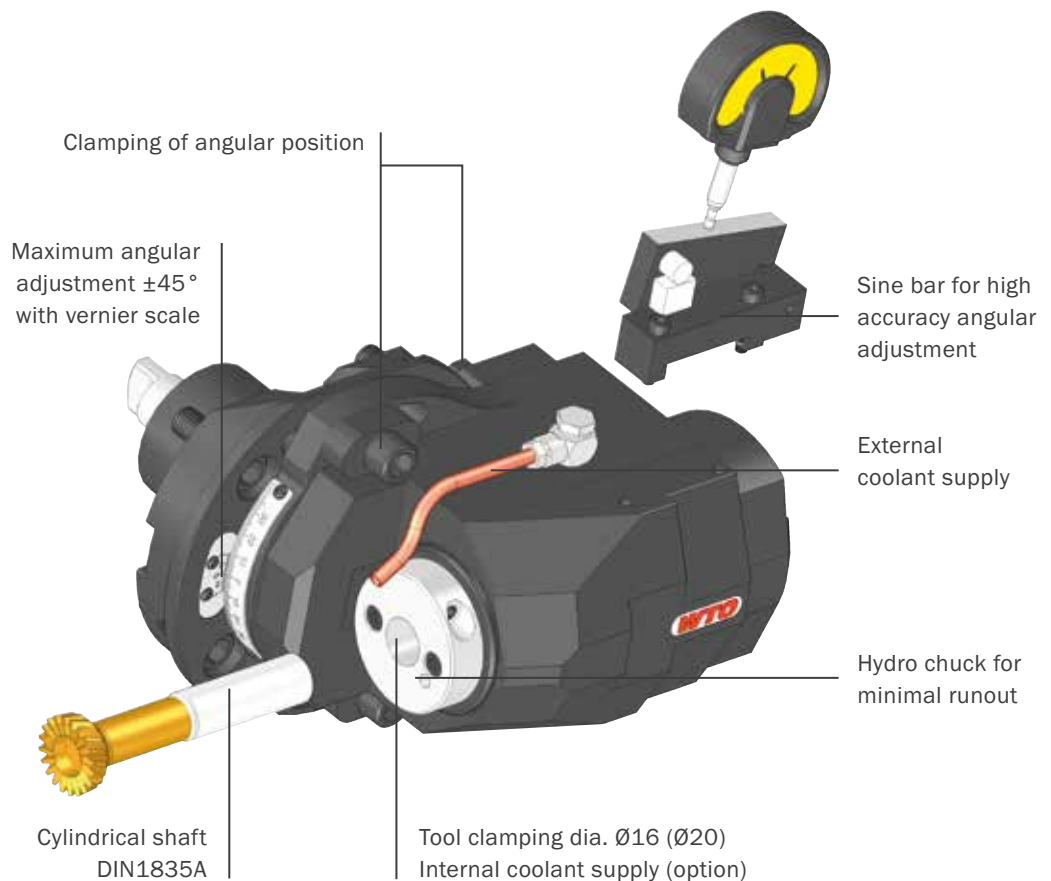
WTO

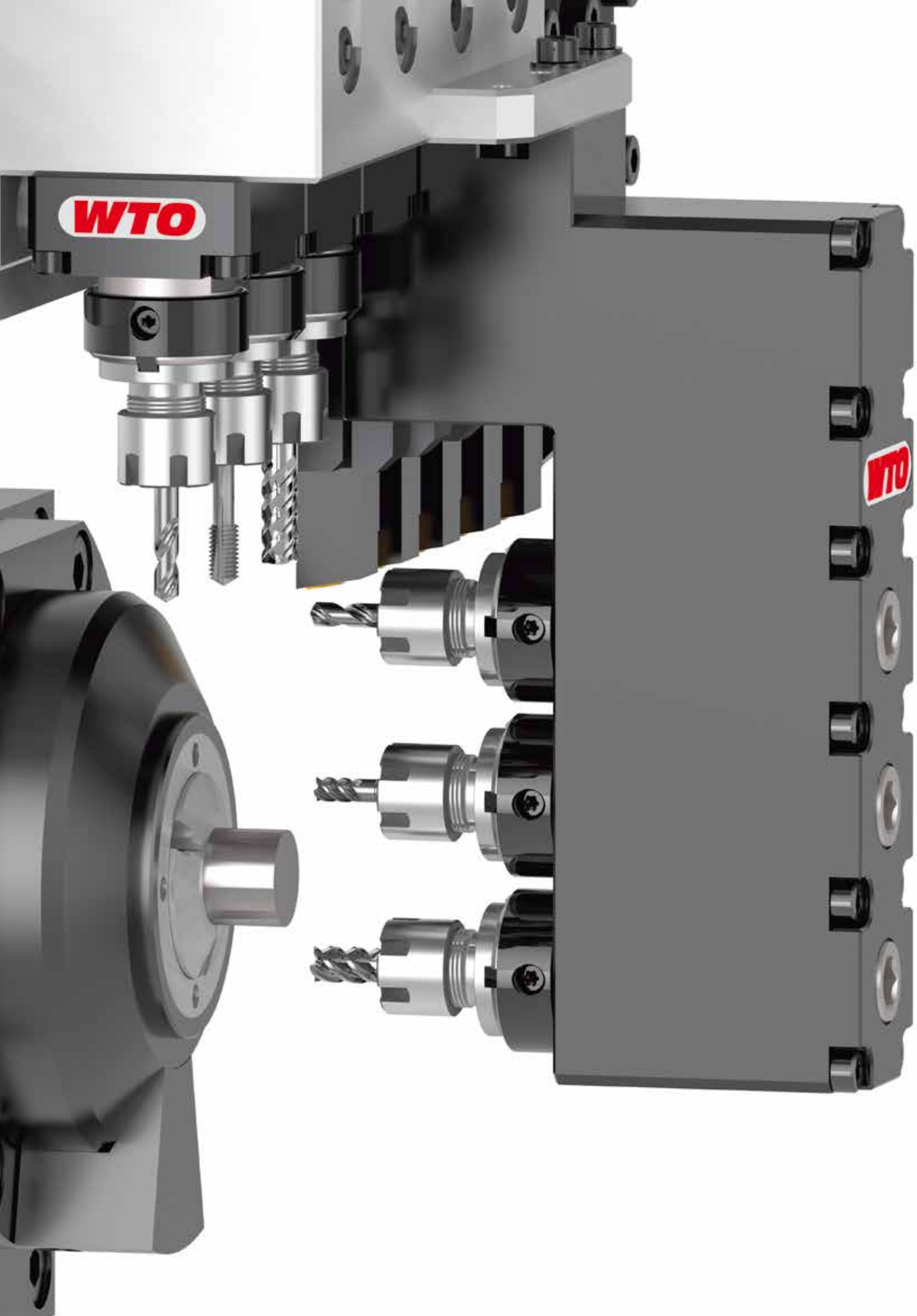
WTO

Power Skiving Unit

Highly productive gear machining: Skiving of ID and OD splines on CNC Turning Centers.

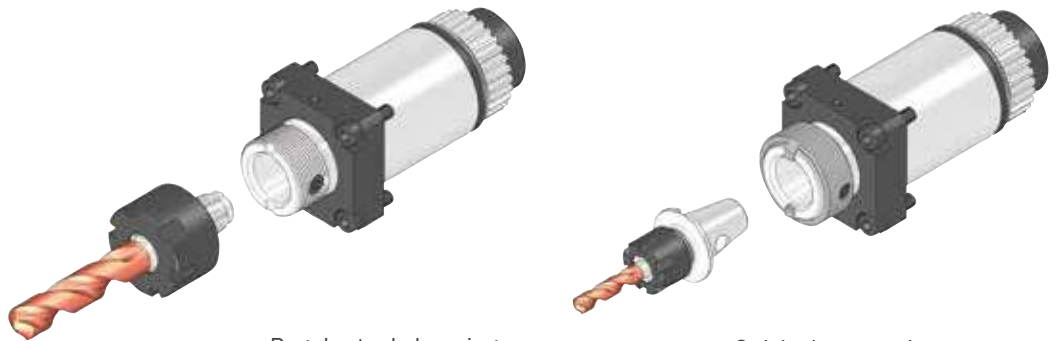
The WTO Power Skiving Unit offers high stiffness and runout accuracy. The hydro chuck spindle enables an accurate and quick cutting tool change.





nanoFlex[®]

The perfect combination: ER collet chuck and modular quick change system in one tool holder.



Regular tool clamping using ER collet.

Quick change using nanoFlex[®] adapter.

Large product range for Swiss Type Turning Centers

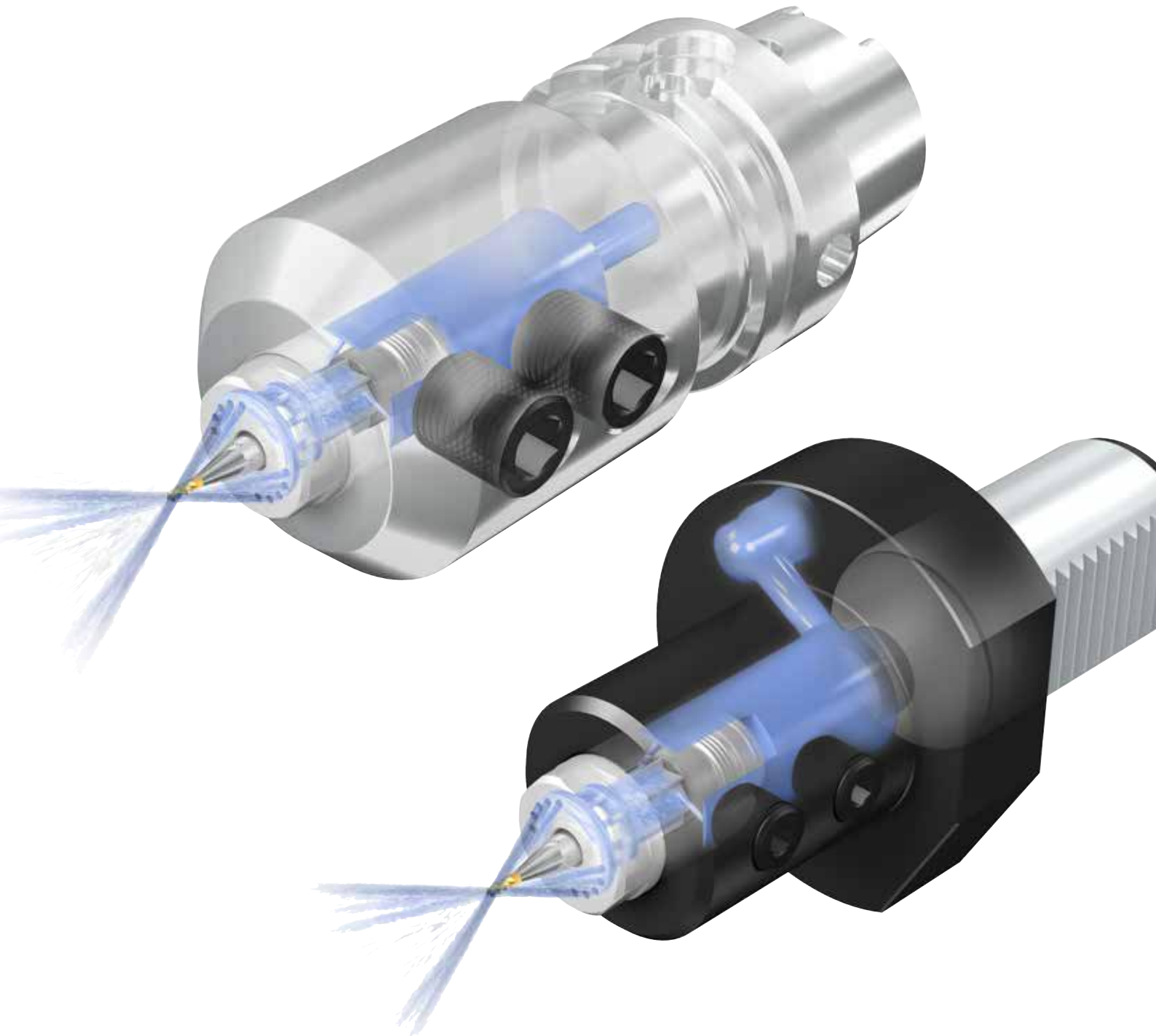
Besides the standard versions we are offering application specific driven tool holders to increase the productivity of your Swiss Type turning center:

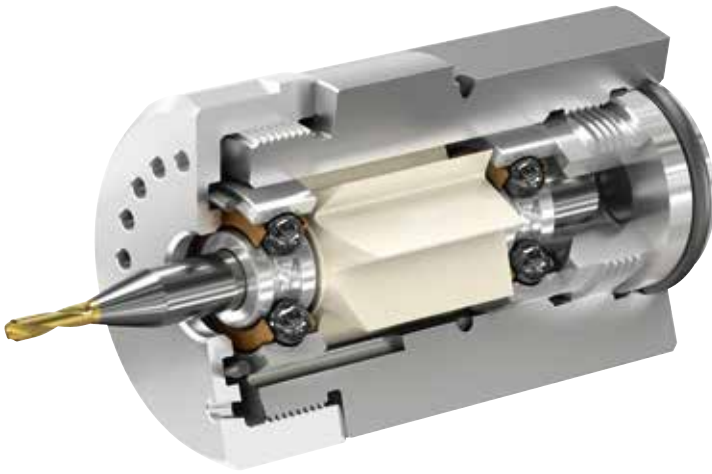


Thread whirling units, gear hobbing units, adjustable angle drill/milling units, high speed drill/milling units, deep hole drilling units up to 200 bar/2900 PSI coolant pressure and slitting saw units.

CoolSpeed[®] mini

Affordable evolutionary high rotation speeds up to 75,000 RPM. Applications: Milling, Drilling, Grinding, Chamfering and Engraving.

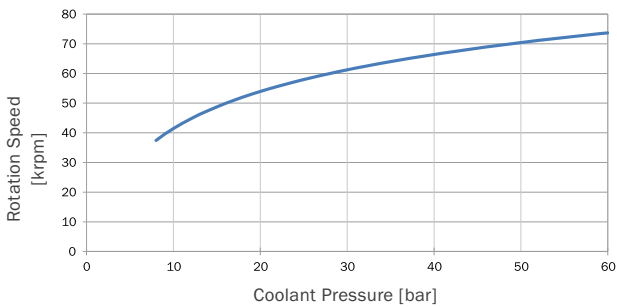




| | |
|------------------------|---|
| Max. RPM | 75,000 1/min |
| Supports tool shanks Ø | 3 mm, 4 mm, 6 mm |
| Driven by | Coolant, oil, air |
| Coolant pressure | 10-60 bar (145-870 PSI) for CoolSpeed® mini (EX) |
| Air pressure | 3-7 bar (44-101 PSI) for CoolSpeed® mini Air |

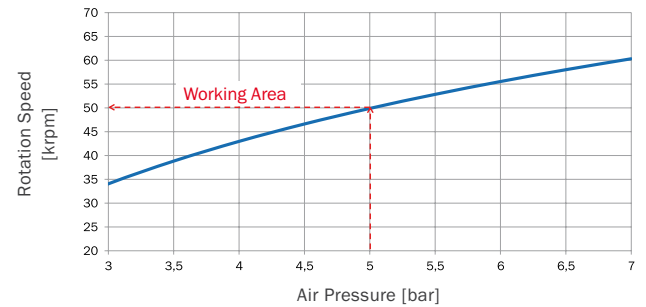
CoolSpeed® mini (EX)

Rotation Speed/Coolant Pressure



CoolSpeed® mini Air

Rotation Speed/Air Pressure



CoolSpeed® mini



CoolSpeed® mini 90



CoolSpeed® mini Air



CoolSpeed® mini Air 90



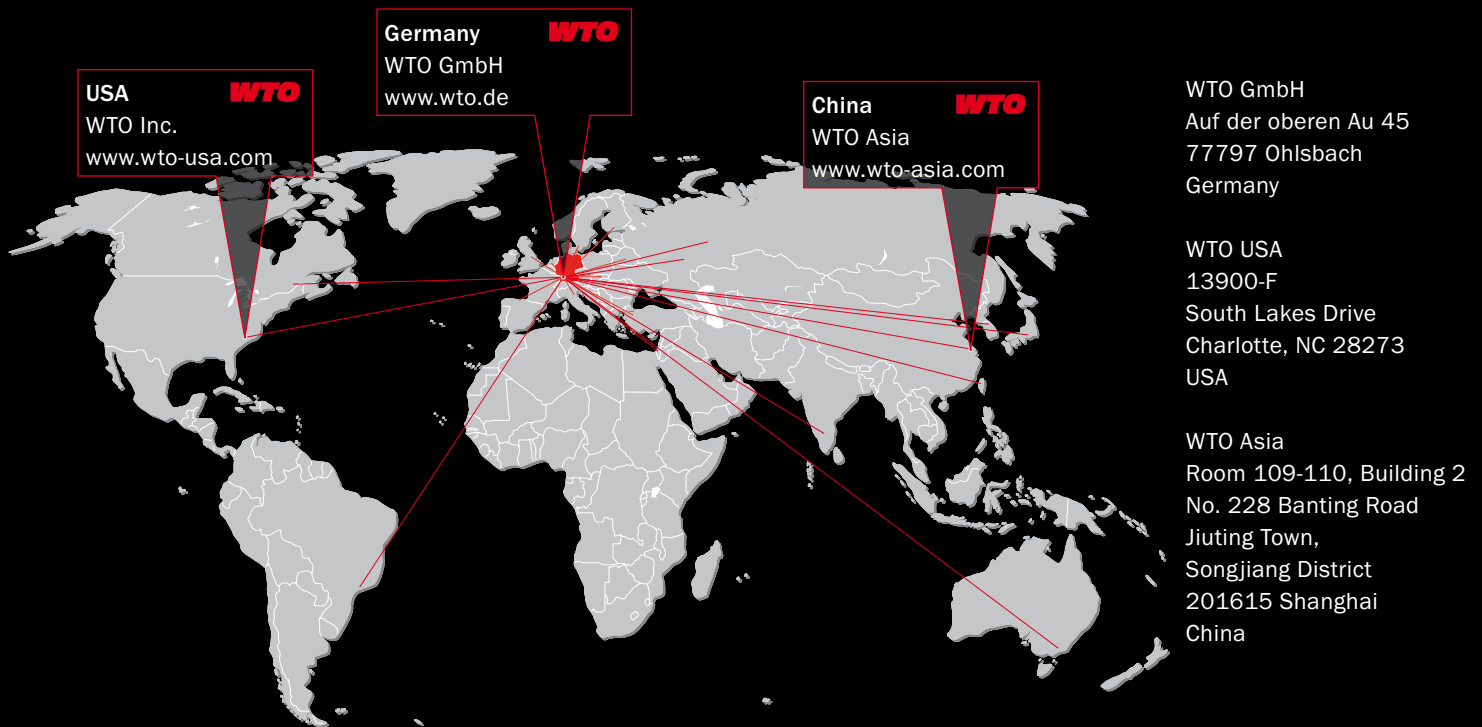
CoolSpeed® mini (EX)



Set
(2 bearings, 1 turbine)



Assembly Device



Our distribution partners. Competence right there.

Australia

Dimac Tooling Ltd.
sales@dimac.com.au

Belarus

LLC "PMI Engineering"
tool@pmi.by

Brazil

TF2
tfdois@tfdois.com.br

Canada

Mittmann Industrial Inc.
info@mittmann.com

China

Shanghai Gangde
wtocando@yahoo.com

Czech Republic

ALBA precision, spol. s.r.o.
info@albaprecision.cz

Denmark

Tool-part
cj@tool-part.dk

Finland

Suomen Terästuonti Oy
myynti@stt.as

France

Philippe Tagliafero
pta@wto.de

Great Britain

Cutwel Ltd.
sales@cutwel.net

India

Ulhas Patil
u.patil@wto-asia.com

Israel

E.Y.A.R. Ltd.
boris@eyar.co.il

Italy

Prymark srl
commerciale@prymark.it

Japan

NK Works Co. Ltd.
k_samba@nk-works.co.jp

Korea

WTO Office Korea
is.chon@wto-korea.com

Mexico

Workholding Engineering De México
info@wem.com.mx

Netherlands

Toologic BeNeLux B.V.
info@toologic-benelux.nl

Norway

Helge Karlsen Verktøy og Maskin AS
hkvm@hkvm.no

Poland

ARCO Andrzej Rudenko
info@arcotools.pl

Romania

SC Elif Trading SRL
bulent.ozkan@eliftrading.com

Russia

WTO Office Russia
office@wto-russia.com

Slovakia

ALBA precision s.r.o.
albaprecision@albaprecision.sk

Spain

ITALMATIC, S.A.
italmatic@italmatic.es

Sweden

Komet Scandinavia AB
scandinavia@kometgroup.com

Switzerland

Utilis AG
info@utilis.com

Taiwan

Kaiko Co., Ltd.
info@kaiko.com.tw

Turkey

MYK CNC MAKINA SAN. VE
huseyin.tatlidil@mykcnc.com.tr

Ukraine

„LLC“ SPA Stankopromimport
info@phoenix-ua.com