

DATA
OUTPUT

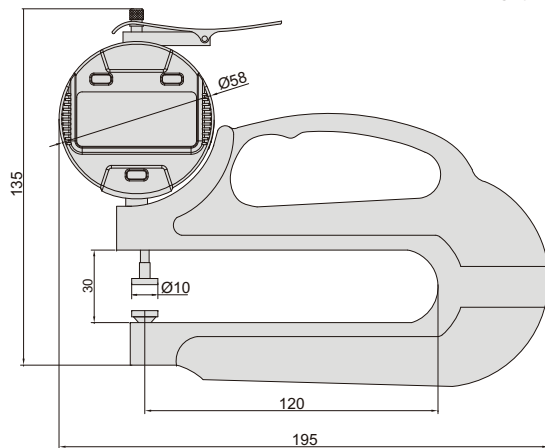


2872-10

Code	Range	Resolution	Accuracy
2872-10	0-10mm/0-0.4"	0.01mm/0.0005"	±0.02mm

DIGITAL THICKNESS GAGE

Unit: mm



- Ceramic spindle tip and anvil
- Buttons: on/off, zero, mm/inch
- Battery CR2032, automatic power off
- Data output
- Optional accessory: data output cable (code 7306-40, 7302-SPC3A, 7305-SPC1A)