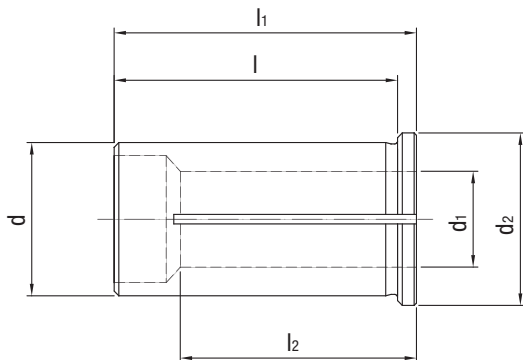


## Reducing Sleeve, coolant sealed

With slits, for flexible diameter application

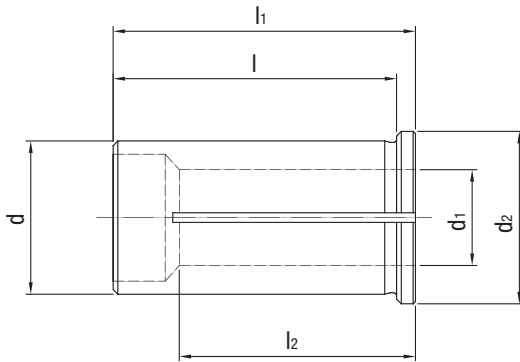


Dimensions							Order designation	Order No.
d	d <sub>1</sub>	d <sub>2</sub>	l	l <sub>1</sub>	l <sub>2</sub>	Weight [kg]		
12	1	16	40	44	20	0.04	40.456.12.01.Z	30503691
12	1.5	16	40	44	20	0.04	40.456.12.015.Z	30503718
12	2	16	40	44	20	0.04	40.456.12.02.Z	30503725
12	2.5	16	40	44	20	0.04	40.456.12.025.Z	30503728
12	3	16	40	44	29	0.03	40.456.12.03.Z	30251059
12	4	16	40	44	29	0.03	40.456.12.04.Z	30251060
12	5	16	40	44	29	0.03	40.456.12.05.Z	30251061
12	6	16	40	44	36	0.03	40.456.12.06.Z	30251062
12	7	16	40	44	37	0.03	40.456.12.07.Z	30251063
12	8	16	40	44	37	0.02	40.456.12.08.Z	30251064
12	9	16	40	44	37	0.02	40.456.12.09.Z	30251065
12	10	16	40	44	40	0.01	40.456.12.10.Z	30251066
20	3	25	50	54	28	0.1	40.456.20.03.Z	30251067
20	4	25	50	54	28	0.1	40.456.20.04.Z	30251068
20	5	25	50	54	28	0.1	40.456.20.05.Z	30251069
20	6	25	50	54	36	0.1	40.456.20.06.Z	30251070
20	7	25	50	54	38	0.1	40.456.20.07.Z	30251071
20	8	25	50	54	37	0.09	40.456.20.08.Z	30251072
20	9	25	50	54	38	0.09	40.456.20.09.Z	30251073
20	10	25	50	54	40	0.09	40.456.20.10.Z	30251074
20	11	25	50	54	40	0.08	40.456.20.11.Z	30251075
20	12	25	50	54	45	0.08	40.456.20.12.Z	30251076
20	13	25	50	54	45	0.07	40.456.20.13.Z	30251077
20	14	25	50	54	45	0.07	40.456.20.14.Z	30251078
20	15	25	50	54	45	0.06	40.456.20.15.Z	30251079
20	16	25	50	54	48	0.05	40.456.20.16.Z	30251080

Caution: Never clamp without tool - the reducing sleeve will be damaged!

## Reducing Sleeve, coolant sealed

With slits, for flexible diameter application



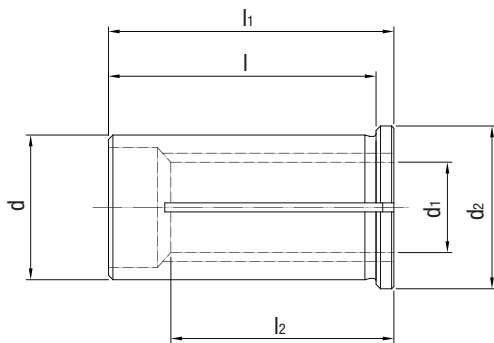
Dimensions							Order designation	Order No.
d	d <sub>1</sub>	d <sub>2</sub>	l	l <sub>1</sub>	l <sub>2</sub>	Weight [kg]		
25	3	30	56	60	29	0.18	40.456.25.03.Z	30251081
25	4	30	56	60	29	0.18	40.456.25.04.Z	30251082
25	5	30	56	60	29	0.18	40.456.25.05.Z	30251083
25	6	30	56	60	37	0.18	40.456.25.06.Z	30251084
25	7	30	56	60	37	0.18	40.456.25.07.Z	30251085
25	8	30	56	60	37	0.17	40.456.25.08.Z	30251086
25	9	30	56	60	38	0.17	40.456.25.09.Z	30251087
25	10	30	56	60	40	0.16	40.456.25.10.Z	30251088
25	12	30	56	60	46	0.15	40.456.25.12.Z	30251089
25	14	30	56	60	47	0.14	40.456.25.14.Z	30251090
25	16	30	56	60	48	0.13	40.456.25.16.Z	30251091
25	18	30	56	60	48	0.11	40.456.25.18.Z	30251092
25	20	30	56	60	50	0.09	40.456.25.20.Z	30251093
32	6	36	60	64	36	0.31	40.456.32.06.Z	30251094
32	7	36	60	64	37	0.31	40.456.32.07.Z	30251095
32	8	36	60	64	36	0.3	40.456.32.08.Z	30251096
32	9	36	60	64	37	0.3	40.456.32.09.Z	30251097
32	10	36	60	64	40	0.29	40.456.32.10.Z	30251098
32	11	36	60	64	40	0.28	40.456.32.11.Z	30251099
32	12	36	60	64	45	0.28	40.456.32.12.Z	30251100
32	13	36	60	64	45	0.28	40.456.32.13.Z	30251101
32	14	36	60	64	46	0.27	40.456.32.14.Z	30251102
32	15	36	60	64	46	0.26	40.456.32.15.Z	30251103
32	16	36	60	64	48	0.26	40.456.32.16.Z	30251104
32	17	36	60	64	48	0.25	40.456.32.17.Z	30251105
32	18	36	60	64	49	0.24	40.456.32.18.Z	30251106
32	19	36	60	64	49	0.23	40.456.32.19.Z	30251107
32	20	36	60	64	50	0.22	40.456.32.20.Z	30251108
32	22	36	60	64	50	0.19	40.456.32.22.Z	30251109
32	25	36	60	64	56	0.15	40.456.32.25.Z	30251110

Caution: Never clamp without tool - the reducing sleeve will be damaged!

Dimensions in mm.

## Reducing Sleeve, KKB

With coolant bores, for flexible diameter application



Dimensions							Order designation	Order No.
d	d <sub>1</sub>	d <sub>2</sub>	l	l <sub>1</sub>	l <sub>2</sub>	Weight [kg]		
12	3	16	40	44	29	0.03	40.456.12.03.KKB	30557343
12	4	16	40	44	29	0.03	40.456.12.04.KKB	30557344
12	5	16	40	44	29	0.03	40.456.12.05.KKB	30557345
12	6	16	40	44	36	0.03	40.456.12.06.KKB	30557346
12	8	16	40	44	37	0.02	40.456.12.08.KKB	30557347
20	3	25	50	54	28	0.1	40.456.20.03.KKB	30557348
20	4	25	50	54	28	0.1	40.456.20.04.KKB	30557350
20	5	25	50	54	28	0.1	40.456.20.05.KKB	30557351
20	6	25	50	54	36	0.1	40.456.20.06.KKB	30557352
20	8	25	50	54	37	0.09	40.456.20.08.KKB	30557353
20	10	25	50	54	40	0.09	40.456.20.10.KKB	30557354
20	12	25	50	54	45	0.08	40.456.20.12.KKB	30557355
20	14	25	50	54	45	0.07	40.456.20.14.KKB	30557356
20	16	25	50	54	48	0.05	40.456.20.16.KKB	30557358
32	6	36	60	64	36	0.31	40.456.32.06.KKB	30557359
32	8	36	60	64	36	0.3	40.456.32.08.KKB	30557360
32	10	36	60	64	40	0.29	40.456.32.10.KKB	30557361
32	12	36	60	64	45	0.28	40.456.32.12.KKB	30557362
32	14	36	60	64	46	0.27	40.456.32.14.KKB	30557364
32	16	36	60	64	48	0.26	40.456.32.16.KKB	30557365
32	18	36	60	64	49	0.24	40.456.32.18.KKB	30557366
32	20	36	60	64	50	0.22	40.456.32.20.KKB	30557367
32	25	36	60	64	56	0.15	40.456.32.25.KKB	30557369

Caution: Never clamp without tool - the reducing sleeve will be damaged!