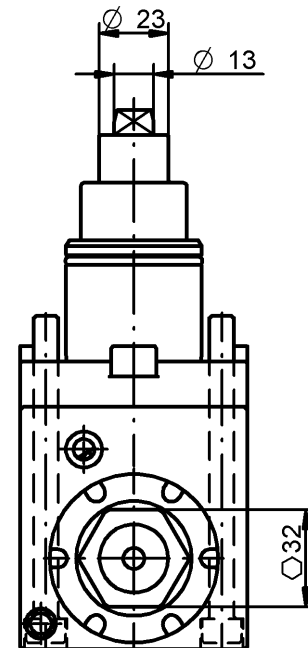
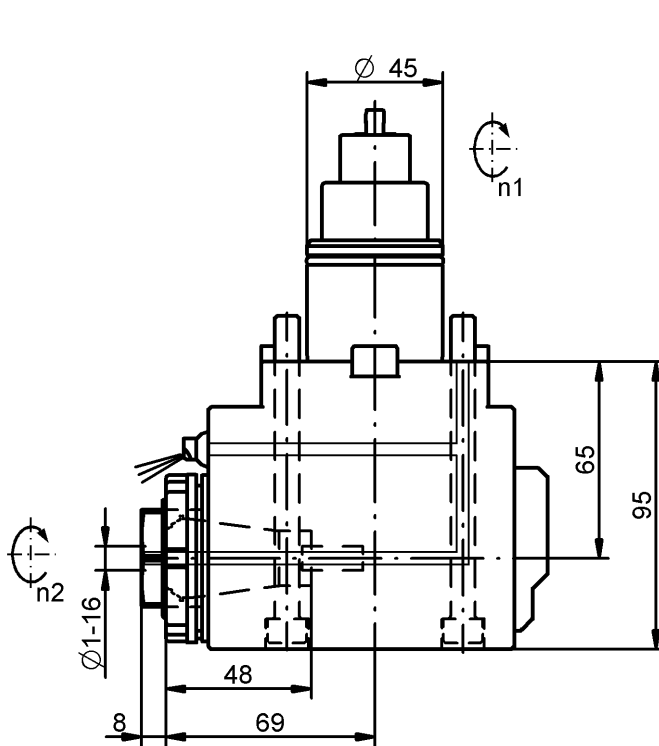
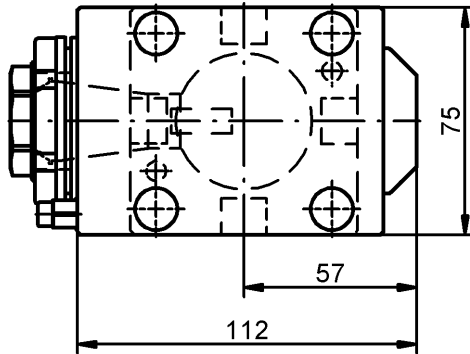
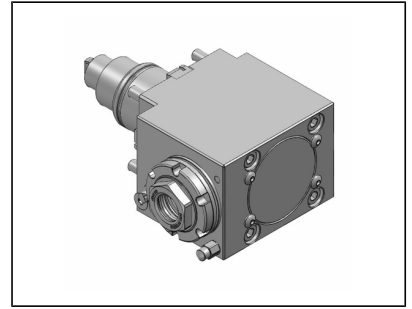


Right angle drill/milling unit - for ER collets DIN 6499B
 Internal and external coolant supply - Do not run without coolant! Only use filtered coolant fluid (max. particle size = 50 µm)
 Max. coolant pressure = 1160 PSI (80 bar)
 180° reversible



Item No.	Shaft-Ø	Tool Clamping	Tool-Ø	Torque(Nm)	n2 max(rpm)	i (n1:n2)
420525021-45	45	ER-25 QF	1-16	50	4,000	2:1

Accessories
(not included)



0067725000
One-hand Wrenches



191025xxx
Collets ER 25 sealed, for IC



320025xxx
ER-25QF collet chuck adapter