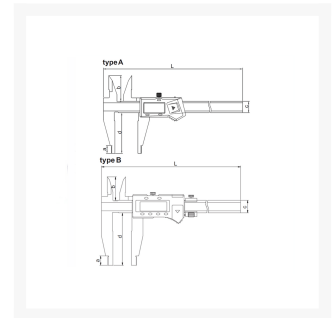


# Digital Caliper for Wide Measurements up to 2 Meters - 1136 Series (Insize)

## Product Images

---



## Short Description

---

The 1136 Digital Vernier Caliper, with inside and stepped outside measuring jaws. The Caliper is made of stainless steel for longer tool life and durability from machine shop wear. With optional SPC cable data output. Sizes range up to 2000mm (80").

## Description

---

- Resolution: 0.01mm/0.0005".

- Button function: on/off, zero, mm/inch,ABS, data preset.
- Battery CR2032.
- Data output.
- Made of stainless steel.
- Optional Accessory: data output cable (code7302-SPC5A).