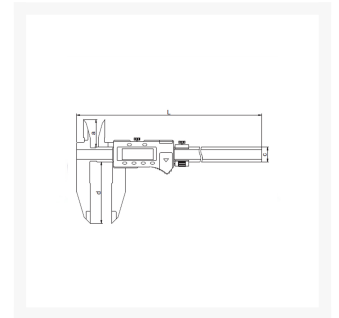


# Digital Caliper - 1135 Series (Insize)

## Product Images

---



## Short Description

---

The 1135 Digital Vernier Caliper, with inside and outside measuring jaws. The Caliper is made of stainless steel for longer tool life and durability from machine shop wear. With optional SPC cable data output. Sizes range up to 1000mm (40").

## Description

---

- Resolution: 0.01mm/0.0005".
- Button function: on/off, zero, mm/inch,ABS, data preset.
- Battery CR2032.
- Data output.
- Made of stainless steel.
- Optional Accessory: data output cable (code7302-SPC5A).